

A O B L A S E R

# AOB 1000/1000-W

en | Data sheet | 1.0.1

- Double fiber core for different processes with just one laser
- Programmable beam profile for adjusting the BPP
- Developed for demanding laser cutting and welding



Wavelength	1080 nm	Polarization	Random
Total output power Ø	2000 W	Anti-reflective coating	Standard
Central beam output power	1000 W	Fiber length	20 m <sup>[3]</sup>
Annular beam output power	1000 W	Cooling method	Water
Laser operation mode	CW, modulated	Cooling flowrate	30 l/min
Central beam parameter product	2.2 mm*mrad <sup>[1]</sup>	Output type	QBH
Annular beam parameter product	7 mm*mrad <sup>[1]</sup>	Supply voltage AC	380 V
Central fiber core diameter	50 µm <sup>[2]</sup>	Power consumption @ 20°C	7000 W
Outer ring fiber core diameter	150 µm	Operation temperature	10 – 40 °C
Modulation frequency	0 – 5 kHz	Storage temperature	-20 – 50 °C
Power instability Ø	2%	Mechanical dimensions (W × D × H)	1152 × 674 × 762 mm
Power tuning range	0 – 100%	Net weight	205 kg

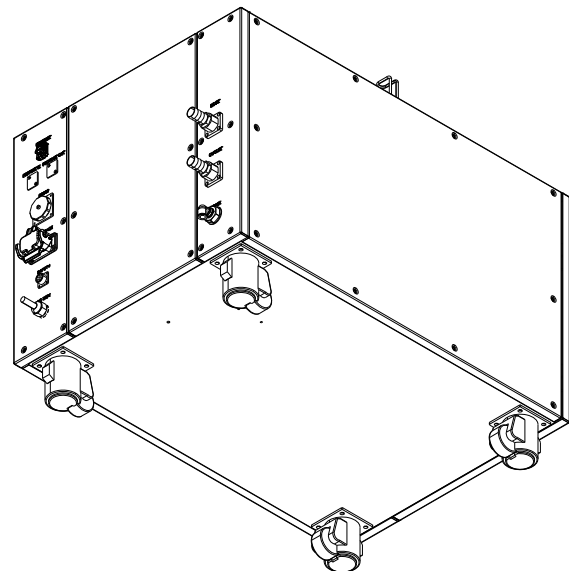
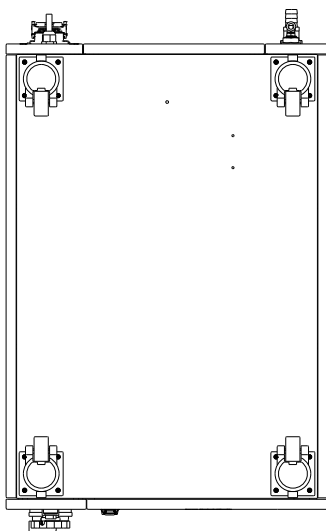
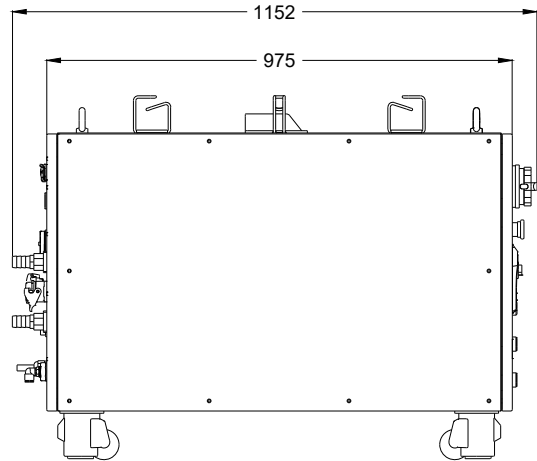
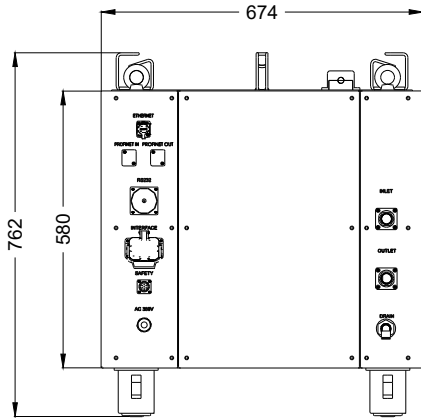
Product customizations are possible on request.

<sup>[1]</sup> Depending on fiber core diameter and fiber length

<sup>[2]</sup> Other available fiber core diameter combinations: 14 µm / 100 µm ; 34 µm / 100 µm; 100 µm / 300 µm

<sup>[3]</sup> Other available fiber lengths: 5 m / 10 m / 15 m





Laser product  
Class 4

## JPT

Manufacturer

AOB laser

AOB 1000/1000-W

Dimensions are given in millimeters and are intended as reference values.  
Binding information is available on request.

