

A O B L A S E R

AOB 2000/3000-W

en | Data sheet | 1.0

- Double fiber core for different processes with just one laser
- Programmable beam profile for adjusting the BPP
- Developed for demanding laser cutting and welding



Wavelength	1080 nm	Polarization	Random
Total output power Ø	5000 W	Anti-reflective coating	Standard
Central beam output power	2000 W	Fiber length	20 m ^[3]
Annular beam output power	3000 W	Cooling method	Water
Laser operation mode	CW, modulated	Cooling flowrate	50 l/min
Central beam parameter product	2.2 mm*mrad ^[1]	Output type	QBH
Annular beam parameter product	7 mm*mrad ^[1]	Supply voltage AC	380 V
Central fiber core diameter	50 µm ^[2]	Power consumption @ 20°C	17000 W
Outer ring fiber core diameter	150 µm	Operation temperature	10 – 40 °C
Modulation frequency	0 – 5 kHz	Storage temperature	-20 – 50 °C
Power instability Ø	2%	Mechanical dimensions (W × D × H)	1152 × 674 × 762 mm
Power tuning range	0 – 100%	Net weight	250 kg

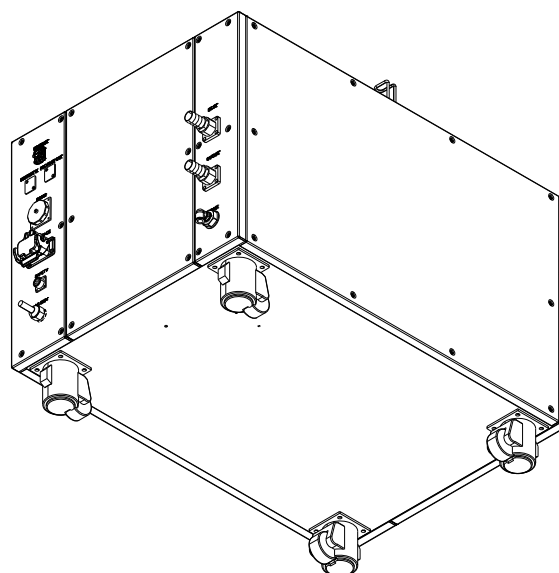
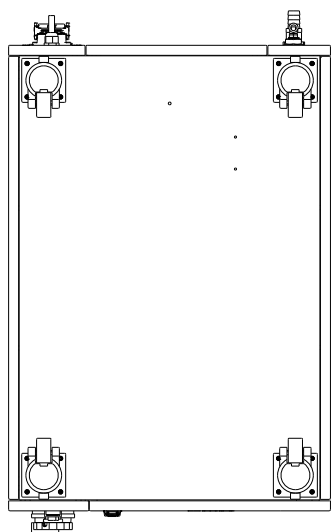
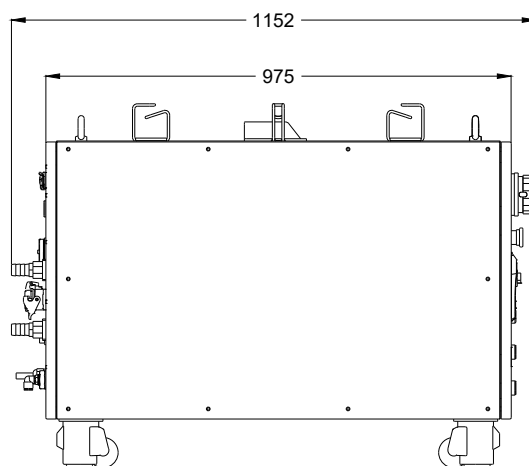
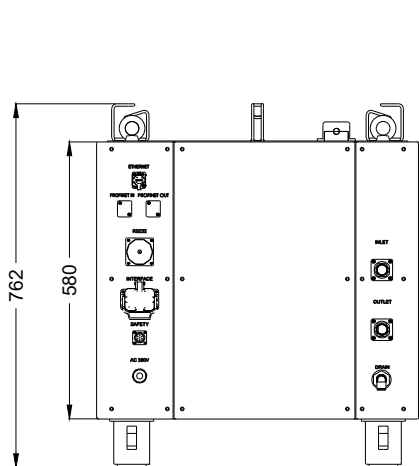
Product customizations are possible on request.

^[1] Depending on fiber core diameter and fiber length

^[2] Other available fiber core diameter combinations: 34 µm / 100 µm; 100 µm / 300 µm

^[3] Other available fiber lengths: 5 m / 10 m / 15 m





Laser product
Class 4

JPT

Manufacturer

AOB laser

AOB 2000/3000-W

Dimensions are given in millimeters and are intended as reference values.
Binding information is available on request.

