

A O B L A S E R

AOB 3000/3000-W

en | Data sheet | 1.1.1

- Double fiber core for different processes with just one laser
- Programmable beam profile for adjusting the BPP
- Developed for demanding laser cutting and welding



Wavelength	1080 nm	Polarization	random
Total output power Ø	6000 W	Fiber length	20 m ^[3]
Central beam output power	3000 W	Cooling method	water
Annular beam output power	3000 W	Cooling flowrate	60 l/min
Laser operation mode	CW, modulated	Cooling power	21 kW
Central beam parameter product	2.2 mm*mrad ^[1]	Aiming beam	Standard
Annular beam parameter product	7.5 mm*mrad ^[1]	Output type	QBH
Central fiber core diameter	50 µm ^[2]	Supply voltage AC	380 V
Outer ring fiber core diameter	150 µm	Power consumption @ 20°C	20000 W
Modulation frequency	1 – 5 kHz	Operation temperature	0 – 40 °C
Power instability Ø	1%	Storage temperature	-10 – 50 °C
Power tuning range	0 – 100%	Mechanical dimensions (W × D × H)	975 × 674 × 762 mm
		Net weight	290 kg

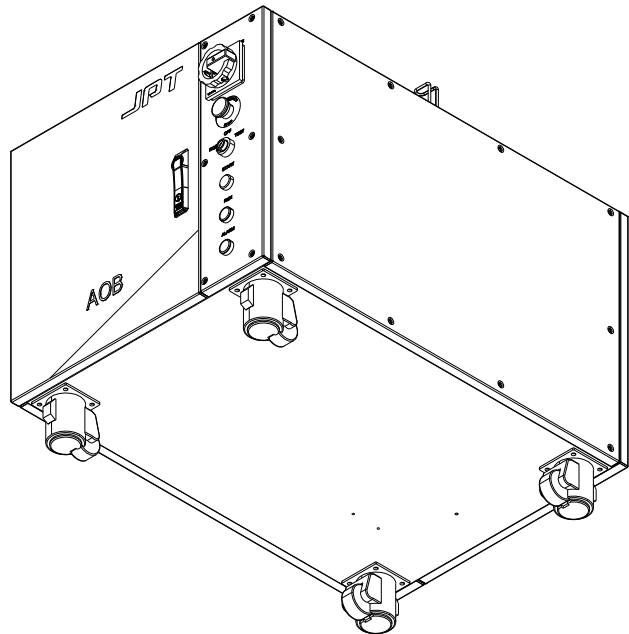
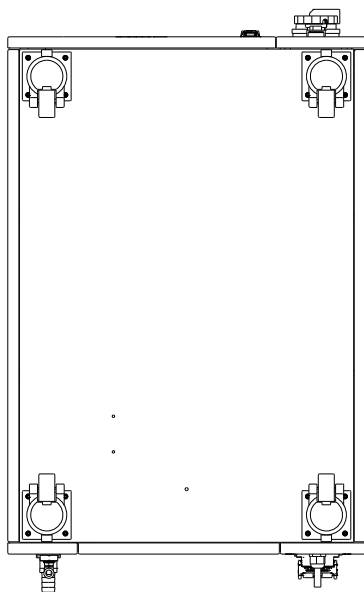
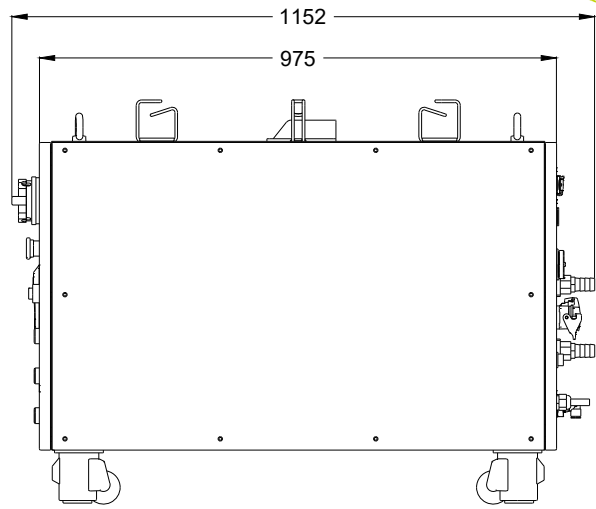
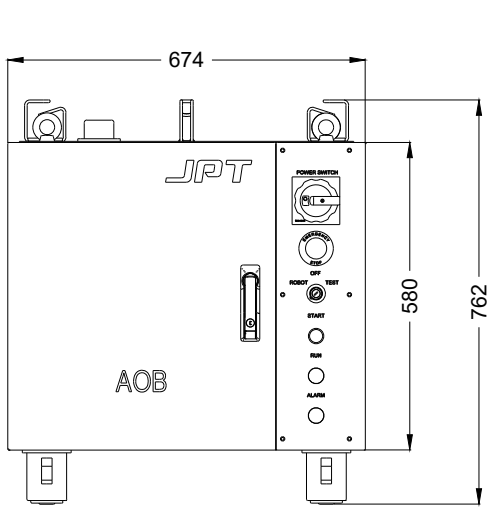
Product customizations are possible on request.

^[1] Depending on fiber core diameter and fiber length

^[2] Other available fiber core diameter combinations: 102 µm / 300 µm; 100 µm / 300 µm

^[3] Other available fiber lengths: 5 m / 15 m / 20 m





JPT

Manufacturer

AOB laser

AOB 3000/3000-W

Dimensions are given in millimeters and are intended as reference values.
Binding information is available on request.

