

C O 2 L A S E R

VJ-C80W [10.6]

en | Data sheet | 1.2

- Economical CO2 laser source, 80 Watt
- CW and modulated operation at 10600 nm
- High reliability for industrial use

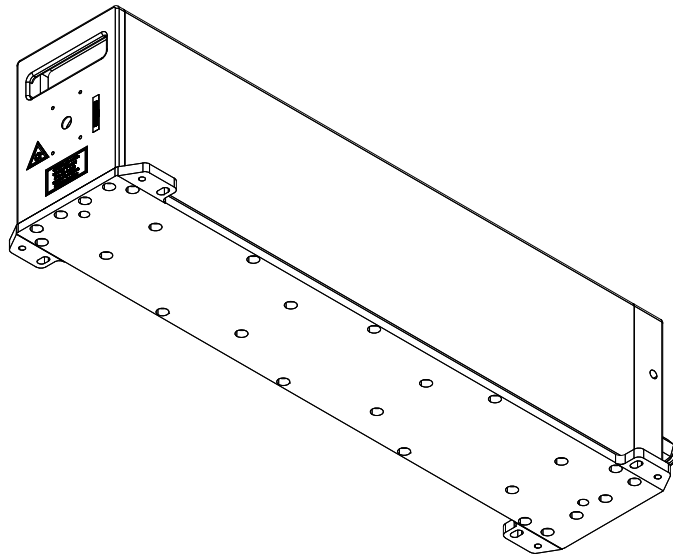
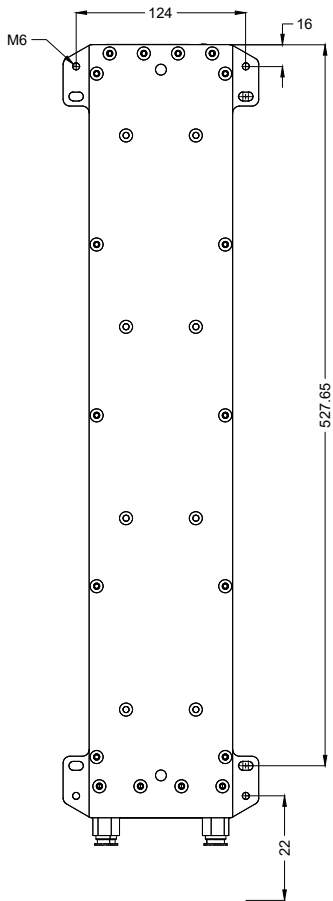
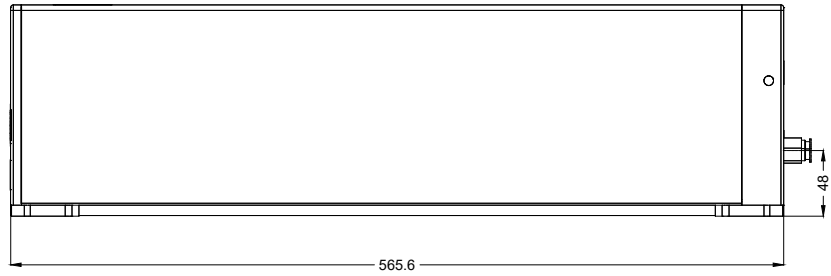
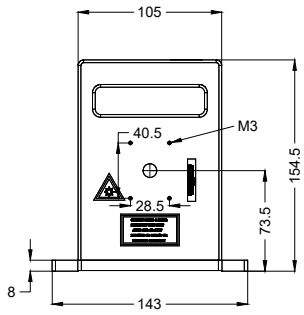


Wavelength	10600 nm	Cooling flowrate	5 l/min
Nominal output power	80 W	Cooling power	1.2 kW
Laser operation mode	CW, modulated	Supply voltage DC	48 V
Beam quality (\leq)	1.2 M ²	Current consumption	25 A
Modulation frequency	1 – 100 kHz	Power consumption @ 20°C	1200 W
Power instability Ø	7%	Operation temperature	5 – 45 °C
Polarization	Vertical	Storage temperature	-10 – 60 °C
Beam diameter D4σ	2 mm	Mechanical dimensions (W × D × H)	143 × 565.6 × 154.5 mm
Cooling method	Water	Net weight	12.9 kg

Product customizations are possible on request.

Information is subject to change without notice.
Product photos are non-binding and may show customized features.





Laser product
Class 4

C02 laser

VJ-C80W [10.6]

Dimensions are given in millimeters and are intended as reference values.
Binding information is available on request.

