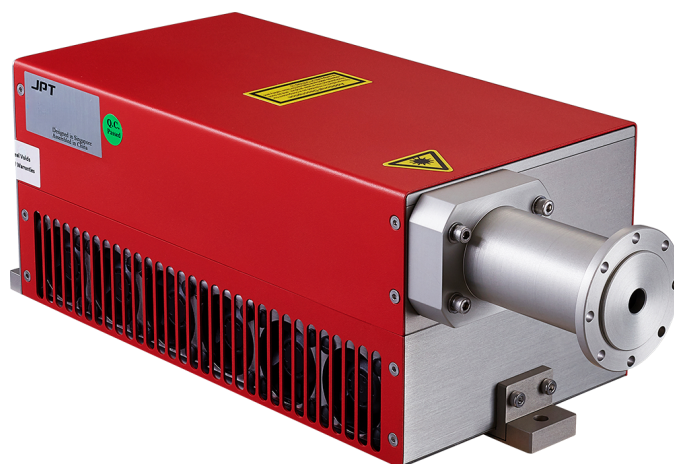


DPSS LASER

UV-5-A-AIO

en | Data sheet | 1.1.1

- Very compact air-cooled design
- Brilliant optical characteristics
- High contrast on many materials
- Outstanding cost-effectiveness



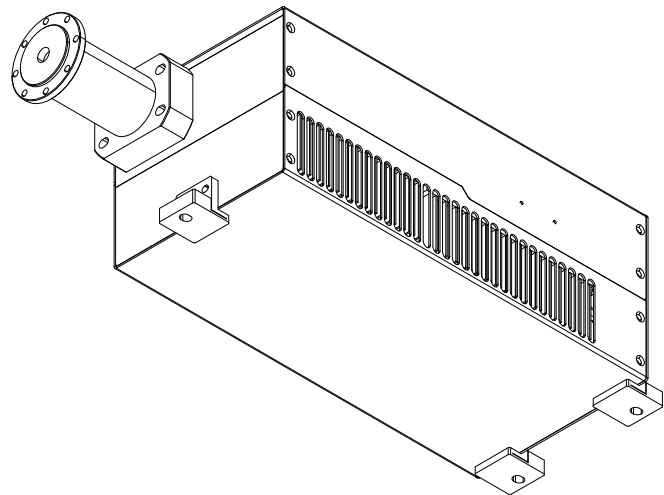
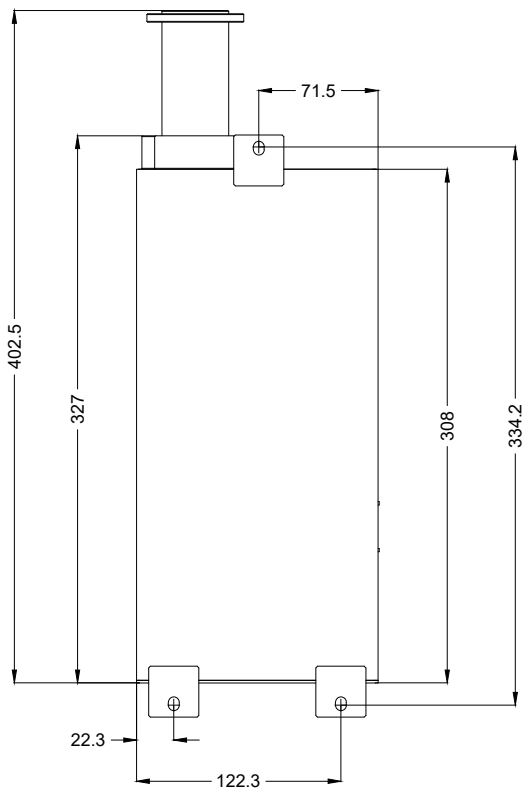
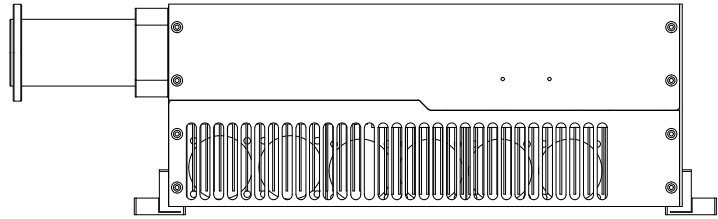
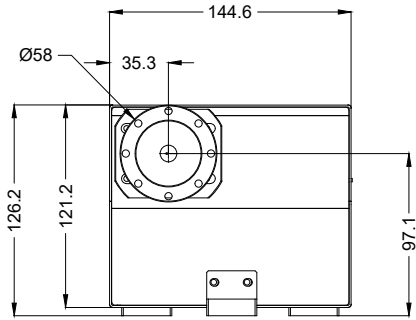
Wavelength	355 nm
Nominal output power	5 W @ 50 kHz
Laser operation mode	Pulsed
Beam quality (\leq)	1.2 M ²
Pulse frequency	20 – 150 kHz
Max. peak pulse power	8 kW
Pulse width	18 ns @ 50 kHz
Max. pulse energy	100 μ J @ 50 kHz
Power instability \varnothing	3%
Polarization	Horizontal

Beam diameter D4 σ	0.5 mm ^[1]
Cooling method	Air
Supply voltage DC	12 V
Current consumption	21 A
Power consumption @ 20°C	200 W
Operation temperature	10 – 35 °C
Storage temperature	-15 – 50 °C
Mechanical dimensions (W x D x H)	144.6 x 348.5 x 126.2 mm
Net weight	6.5 kg

Product customizations are possible on request.

^[1] Only available with pre-installed beam expander 6x / 10x.





JPT

Manufacturer

DPSS laser

UV-5-A-AIO

Dimensions are given in millimeters and are intended as reference values.
Binding information is available on request.

