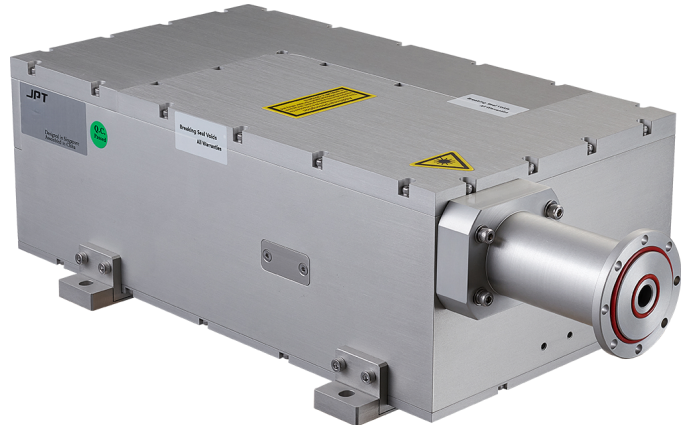


DPSS LASER

UV-10S-W-A10

en | Data sheet | 1.2

- Compact all-in-one design
- Brilliant optical characteristics
- Strong response on various materials
- Outstanding cost-effectiveness

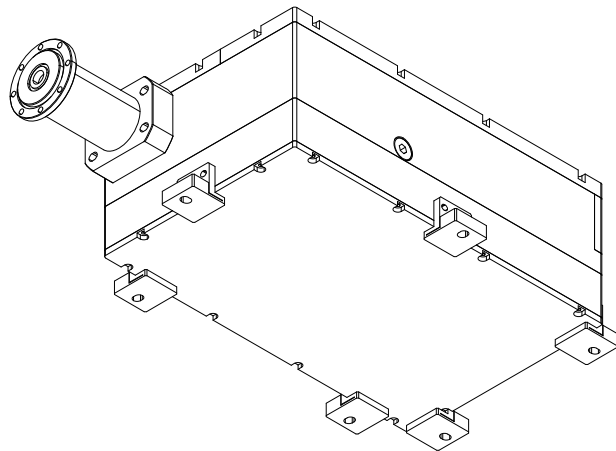
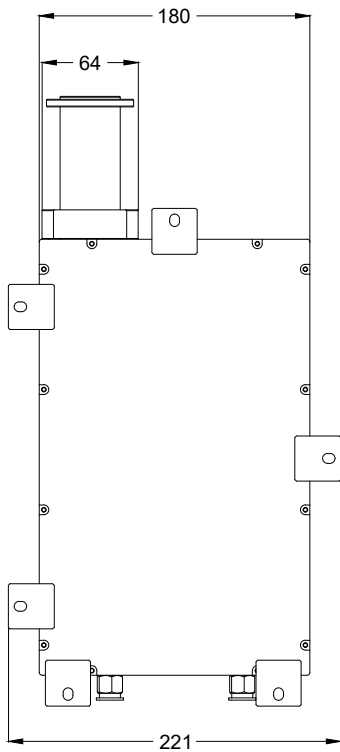
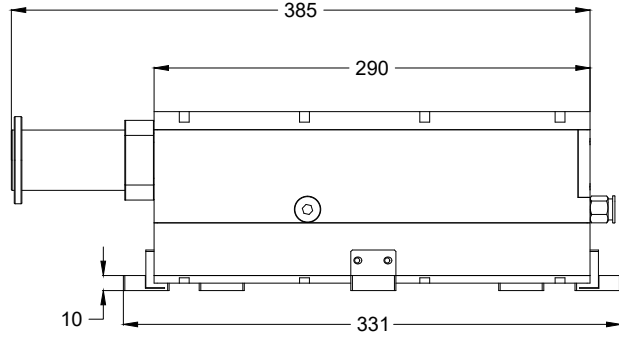
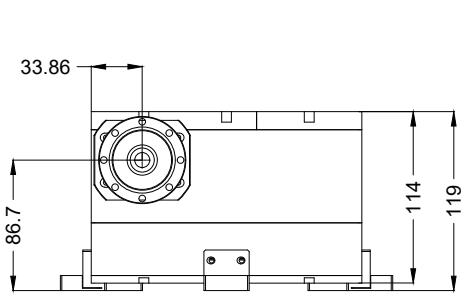


Wavelength	355 nm	Cooling method	Water
Nominal output power	10 W @ 60 kHz	Cooling flowrate	16 l/min
Laser operation mode	Pulsed	Cooling power	0.5 kW
Beam quality (ϵ)	1.2 M ²	Supply voltage DC	36 V
Pulse frequency	40 – 300 kHz	Current consumption	8.5 A
Max. peak pulse power	15 kW	Power consumption @ 20°C	300 W
Pulse width	20 ns @ 60 kHz	Operation temperature	10 – 35 °C
Max. pulse energy	167 µJ @ 60 kHz	Storage temperature	-15 – 50 °C
Power instability Ø	3%	Mechanical dimensions (W × D × H)	180 × 290 × 114 mm
Polarization	Horizontal	Net weight	8.8 kg
Beam diameter D4σ	0.45 mm ^[1]		

Product customizations are possible on request.

^[1] Only available with pre-installed beam expander 6x / 10x.





JPT

Manufacturer

DPSS laser

UV-10S-W-AIO

Dimensions are given in millimeters and are intended as reference values.
Binding information is available on request.

