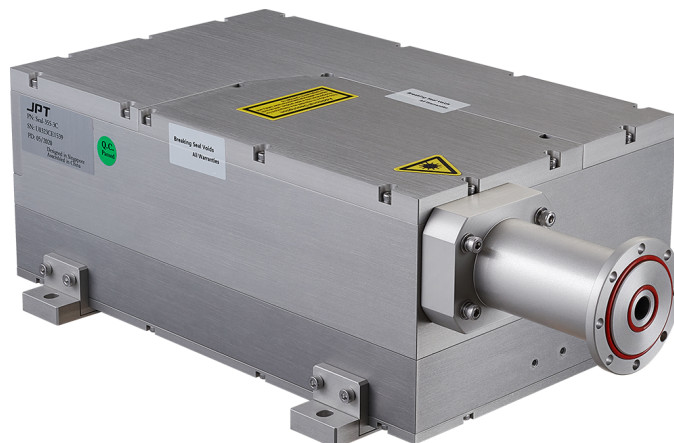


DPSS LASER

UV-3C-W-A10

en | Data sheet | 1.2

- Compact all-in-one design
- Brilliant optical characteristics
- High contrast on many materials
- Outstanding cost-effectiveness



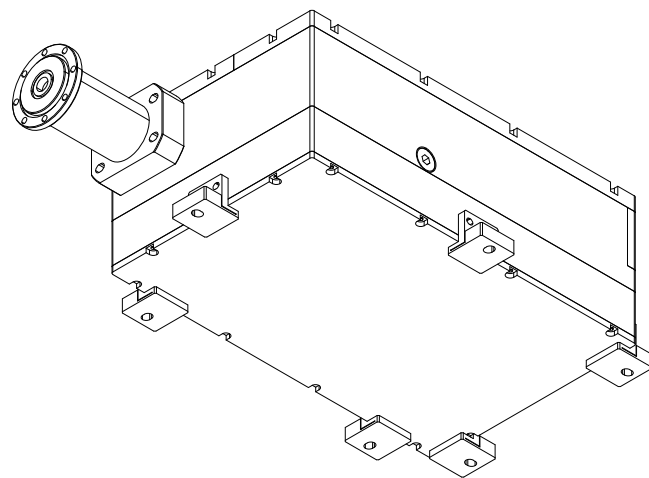
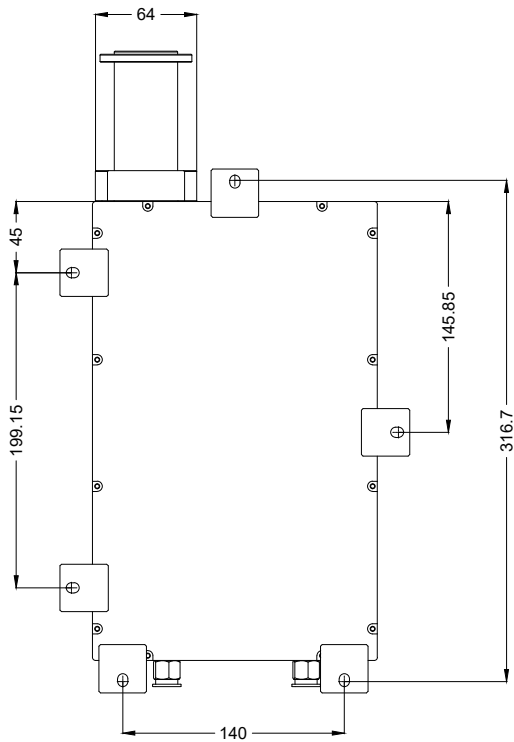
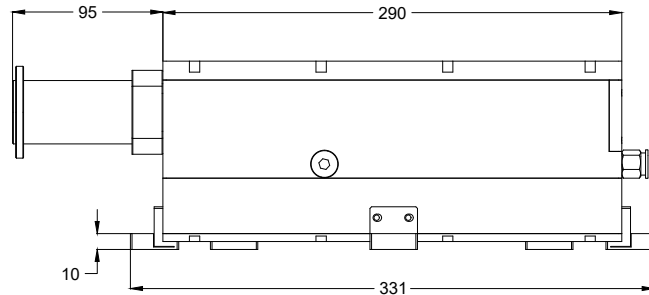
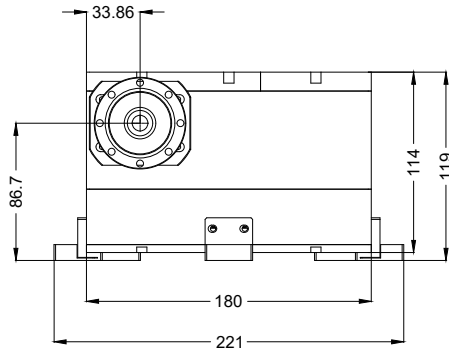
Wavelength	355 nm
Nominal output power	3 W @ 30 kHz
Laser operation mode	Pulsed
Beam quality (ϵ)	1.2 M ²
Pulse frequency	20 – 150 kHz
Max. peak pulse power	8 kW
Pulse width	40 ns @ 30 kHz
Max. pulse energy	100 μ J @ 30 kHz
Power instability \emptyset	3%
Polarization	Horizontal
Beam diameter D4 σ	0.55 mm ^[1]

Cooling method	Water
Cooling flowrate	16 l/min
Cooling power	0.5 kW
Supply voltage DC	12 V
Current consumption	15 A
Power consumption @ 20°C	180 W
Operation temperature	0 – 40 °C
Storage temperature	-15 – 50 °C
Mechanical dimensions (W x D x H)	180 x 290 x 114 mm
Net weight	6 kg

Product customizations are possible on request.

^[1] Only available with pre-installed beam expander 6x / 10x.





JPT

Manufacturer

DPSS laser

UV-3C-W-AIO

Dimensions are given in millimeters and are intended as reference values.
Binding information is available on request.

