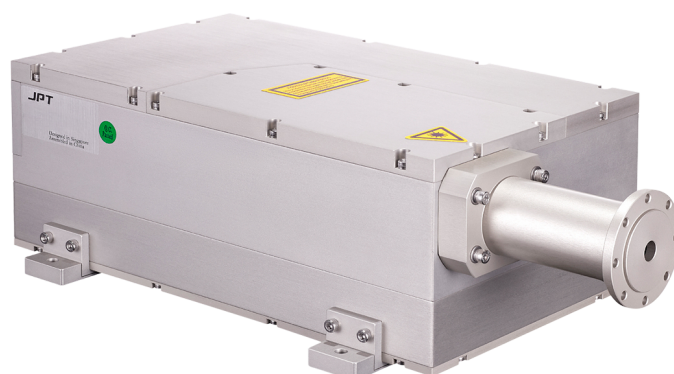


D P S S L A S E R

GR-10-W-A10

en | Data sheet | 1.2

- Compact all-in-one design
- Brilliant optical characteristics
- Strong response on various materials
- Outstanding cost-effectiveness



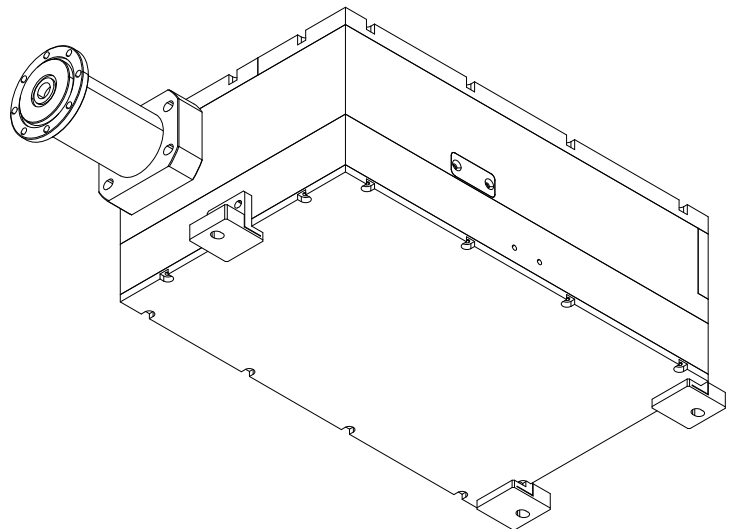
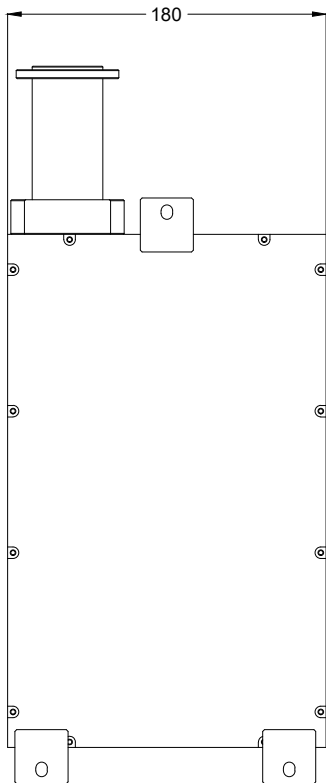
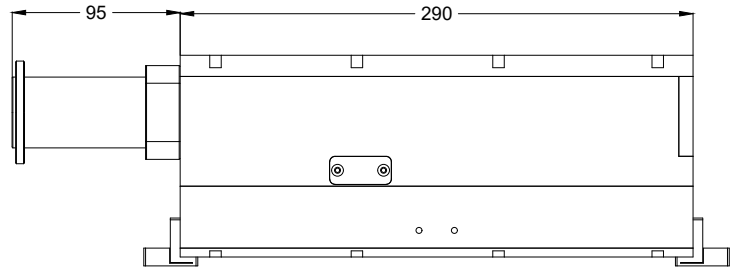
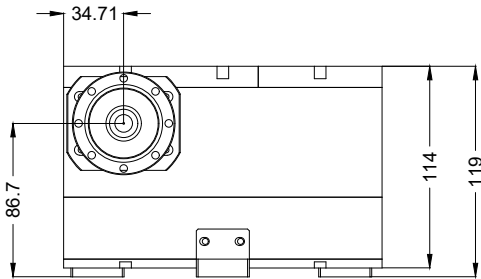
Wavelength	532 nm
Nominal output power	10 W @ 50 kHz
Laser operation mode	Pulsed
Beam quality (ϵ)	1.2 M ²
Pulse frequency	20 – 200 kHz
Max. peak pulse power	15 kW
Pulse width	25 ns @ 50 kHz
Max. pulse energy	200 μ J @ 50 kHz
Power instability \emptyset	3%
Polarization	Horizontal
Beam diameter D4 σ	0.8 mm ^[1]

Cooling method	Water
Cooling flowrate	16 l/min
Cooling power	0.5 kW
Supply voltage DC	12 V
Current consumption	21 A
Power consumption @ 20°C	250 W
Operation temperature	10 – 35 °C
Storage temperature	-15 – 50 °C
Mechanical dimensions (W x D x H)	180 x 290 x 114 mm
Net weight	8.7 kg

Product customizations are possible on request.

^[1] Only available with pre-installed beam expander 6x / 10x.





JPT

Manufacturer

DPSS laser

GR-10-W-AIO

Dimensions are given in millimeters and are intended as reference values.
Binding information is available on request.

