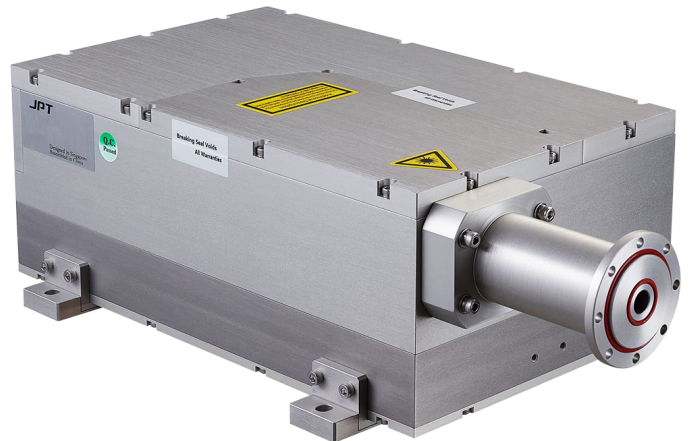


DPSS LASER

# GR-30-W-AIO

en | Data sheet | 1.0.1

- Compact all-in-one design
- Brilliant optical characteristics
- Strong response on various materials
- Outstanding cost-effectiveness



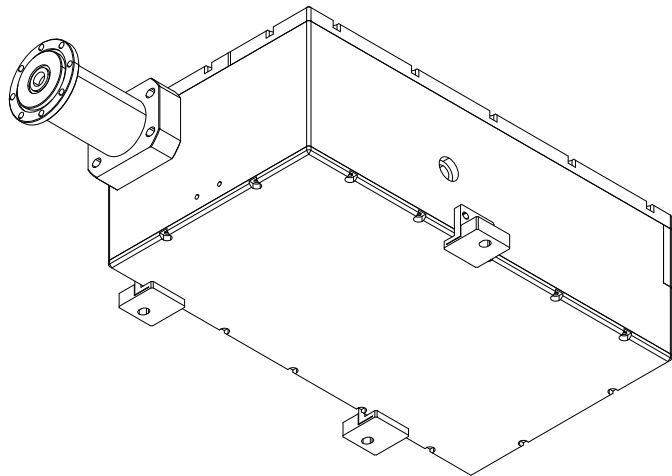
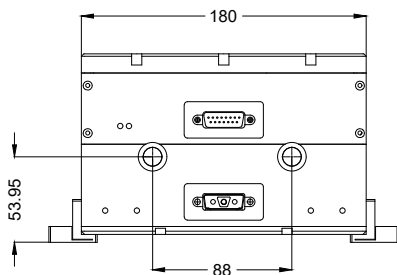
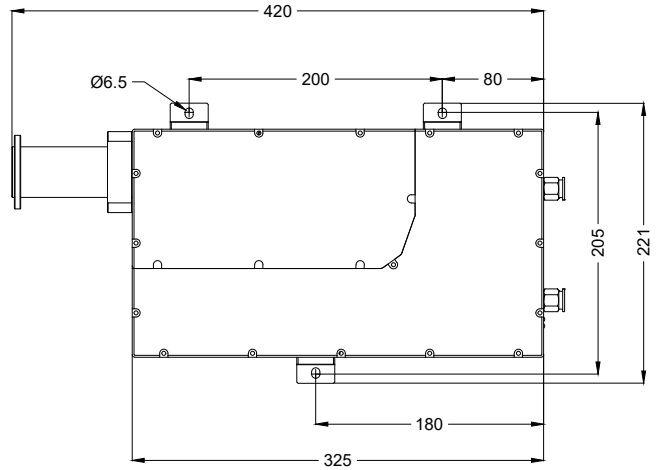
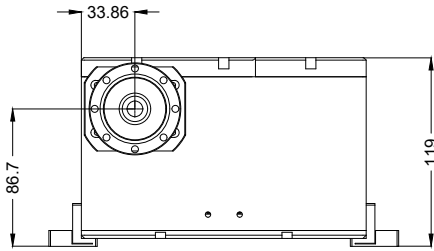
Wavelength	532 nm
Nominal output power	30 W @ 80 kHz
Laser operation mode	Pulsed
Beam quality ( $\leq$ )	1.2 M <sup>2</sup>
Pulse frequency	40 – 300 kHz
Max. peak pulse power	30 kW
Pulse width	18 ns @ 80 kHz
Max. pulse energy	375 $\mu$ J @ 80 kHz
Power instability $\emptyset$	3%
Polarization	Horizontal
Beam diameter D4 $\sigma$	0.7 mm <sup>[1]</sup>

Cooling method	Water
Cooling flowrate	6 l/min
Cooling power	1 kW
Supply voltage DC	36 V
Current consumption	12.5 A
Power consumption @ 20°C	450 W
Operation temperature	10 – 35 °C
Storage temperature	-15 – 50 °C
Mechanical dimensions (W x D x H)	337 x 180 x 114 mm
Net weight	9.8 kg

Product customizations are possible on request.

<sup>[1]</sup> Only available with pre-installed beam expander 6x / 10x.





Laser product  
Class 4

## JPT

Manufacturer

DPSS laser

GR-30-W-AIO

Dimensions are given in millimeters and are intended as reference values.  
Binding information is available on request.

