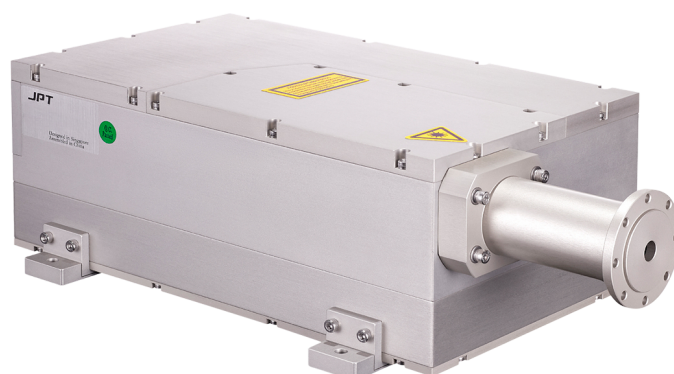


DPSS LASER

# GR-7-W-A10

en | Data sheet | 1.2

- Compact all-in-one design
- Brilliant optical characteristics
- Strong response on various materials
- Outstanding cost-effectiveness



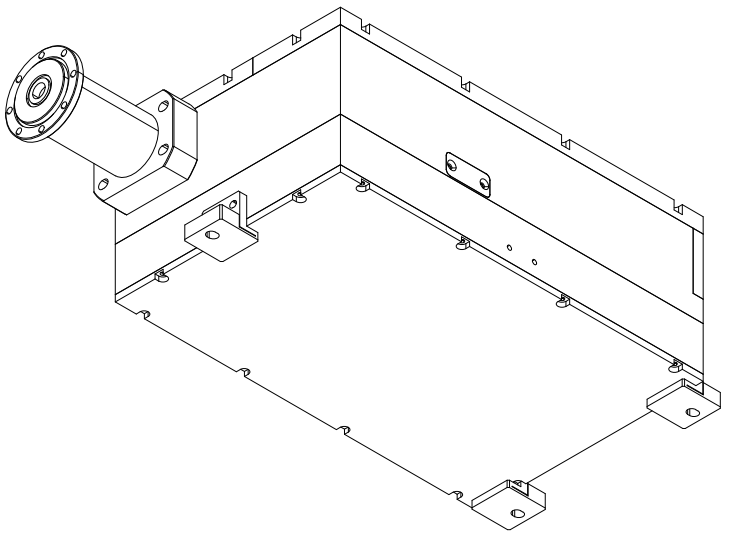
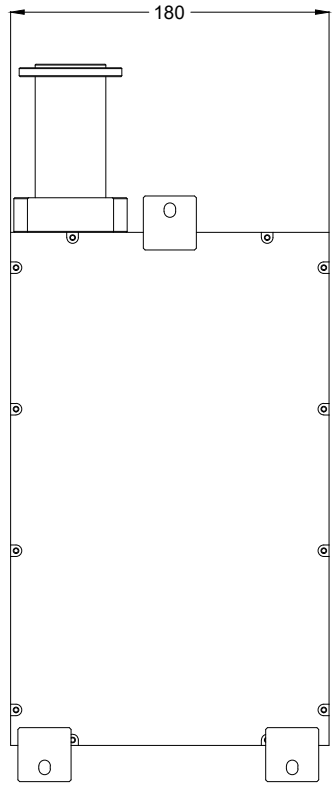
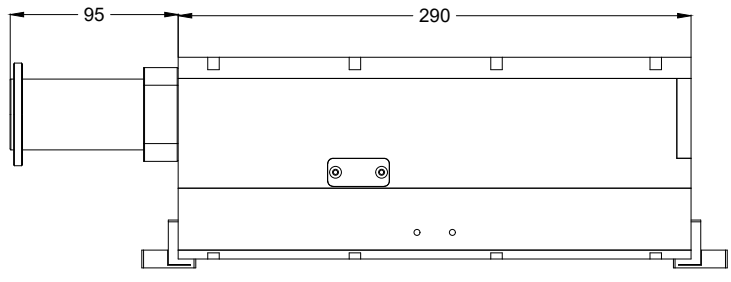
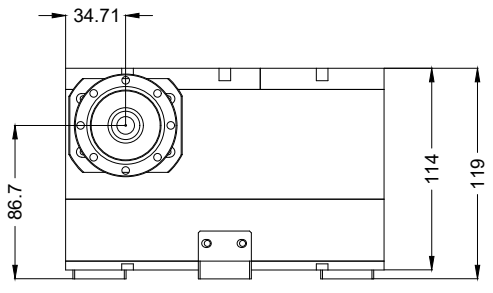
Wavelength	532 nm
Nominal output power	7 W @ 50 kHz
Laser operation mode	Pulsed
Beam quality ( $\leq$ )	1.2 M <sup>2</sup>
Pulse frequency	20 – 200 kHz
Max. peak pulse power	10 kW
Pulse width	38 ns @ 50 kHz
Max. pulse energy	140 $\mu$ J @ 50 kHz
Power instability $\emptyset$	3%
Polarization	Horizontal
Beam diameter D4 $\sigma$	0.8 mm <sup>[1]</sup>

Cooling method	Water
Cooling flowrate	16 l/min
Cooling power	0.5 kW
Supply voltage DC	12 V
Current consumption	21 A
Power consumption @ 20°C	250 W
Operation temperature	10 – 35 °C
Storage temperature	-15 – 50 °C
Mechanical dimensions (W x D x H)	180 x 290 x 114 mm
Net weight	8.7 kg

Product customizations are possible on request.

<sup>[1]</sup> Only available with pre-installed beam expander 6x / 10x.





**JPT**

Manufacturer

DPSS laser

GR-7-W-AIO

Dimensions are given in millimeters and are intended as reference values.  
Binding information is available on request.

