

F - T H E T A L E N S

f-120T-14-1030-1080

en | Data sheet | 1.0

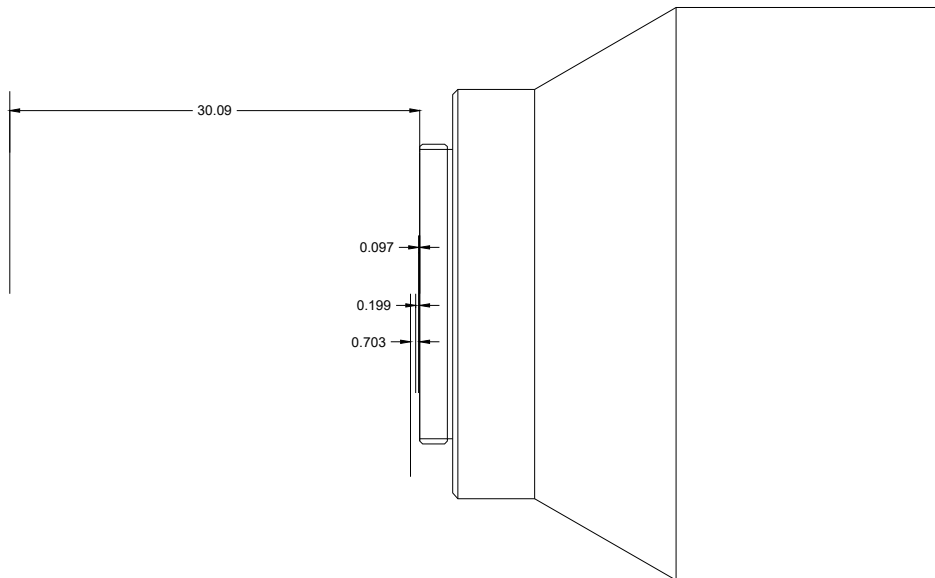
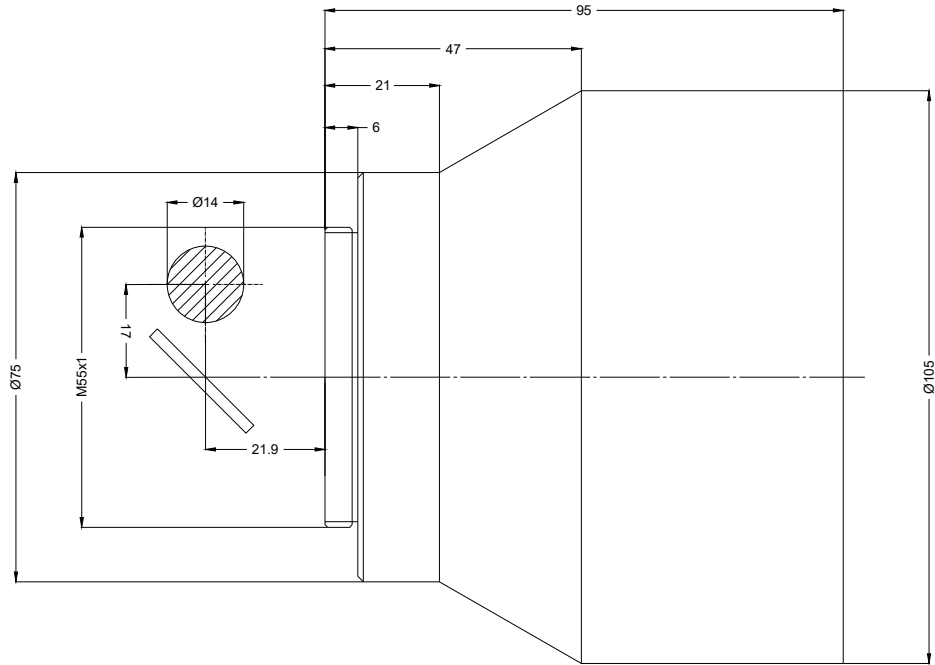
- Telecentric Fused Silica F-Theta Lens
- Wavelength 1030 – 1080 nm
- Nominal focal length 120 mm
- Max. input beam diameter 14 mm
- Maximum working area 52 x 52 mm



Wavelength	1030 – 1080 nm	Mirror distance m1/m2	17 / 21.9 mm
Nominal focal length	120 mm	Anti-reflective coating	Standard
Effective focal length	120.000 mm	Telecentric error	2 °
Flange focal length	263.200 mm	Cooling method	Air
Max. input beam diameter	14 mm	Lens material	Fused Silica
Working distance	174.200 mm	Mounting thread	M55x1
Max. scan field	52 x 52 mm	Lens diameter	105 mm
Minimum spot size	8.957 µm		

Information is subject to change without notice.
Product photos are non-binding and may show customized features.





F-Theta lens

f-120T-14-1030-1080

Dimensions are given in millimeters and are intended as reference values.
Binding information is available on request.

