

F - T H E T A L E N S

f-125T-20-1030-1080

en | Data sheet | 1.1

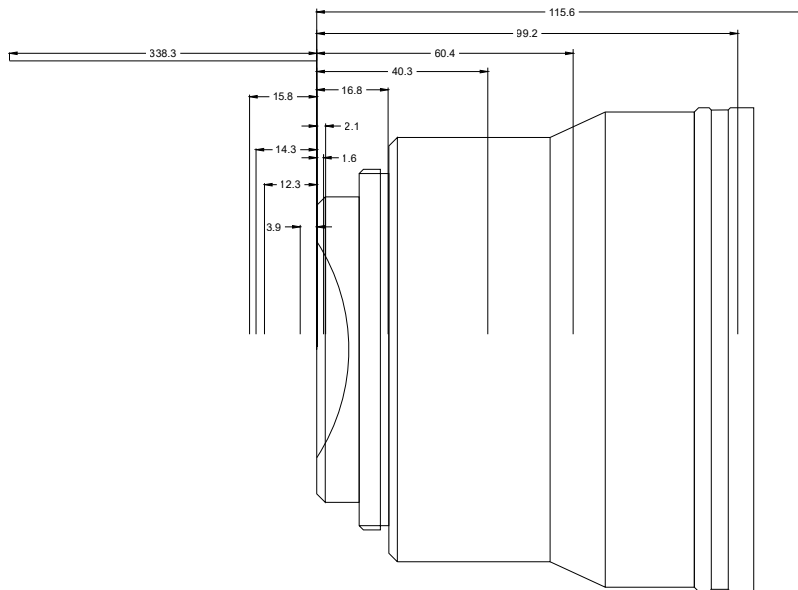
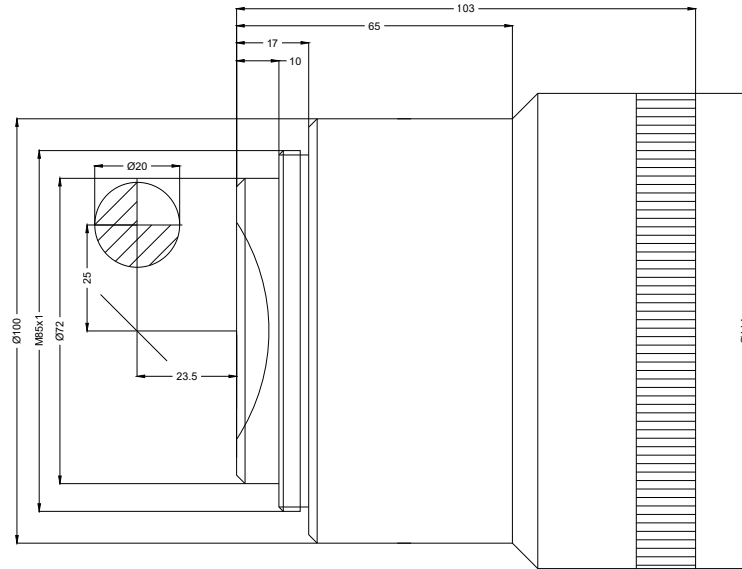
- Telecentric fused silica lens
- Wavelength 1030 – 1080 nm
- Nominal focal length 125 mm
- Max. input beam diameter 20 mm
- Maximum working area 50 x 50 mm



Wavelength	1030 – 1080 nm	Mirror distance m1/m2	25 / 23.5 mm
Nominal focal length	125 mm	Anti-reflective coating	Standard
Effective focal length	124.984 mm	Telecentric error	1.8 °
Flange focal length	244.410 mm	Cooling method	Air
Max. input beam diameter	20 mm	Lens material	Fused silica
Working distance	153.270 mm	Mounting thread	M85x1
Max. scan field	50 x 50 mm	Lens diameter	112 mm
Minimum spot size	12.2 µm		

Information is subject to change without notice.
Product photos are non-binding and may show customized features.





F-Theta lens

f-125T-20-1030-1080

Dimensions are given in millimeters and are intended as reference values.
Binding information is available on request.

