

F - T H E T A L E N S

f-65T-8-1030-1080

en | Data sheet | 1.1

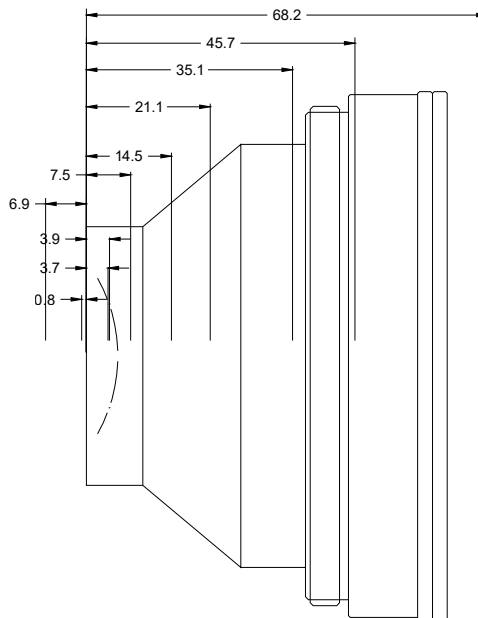
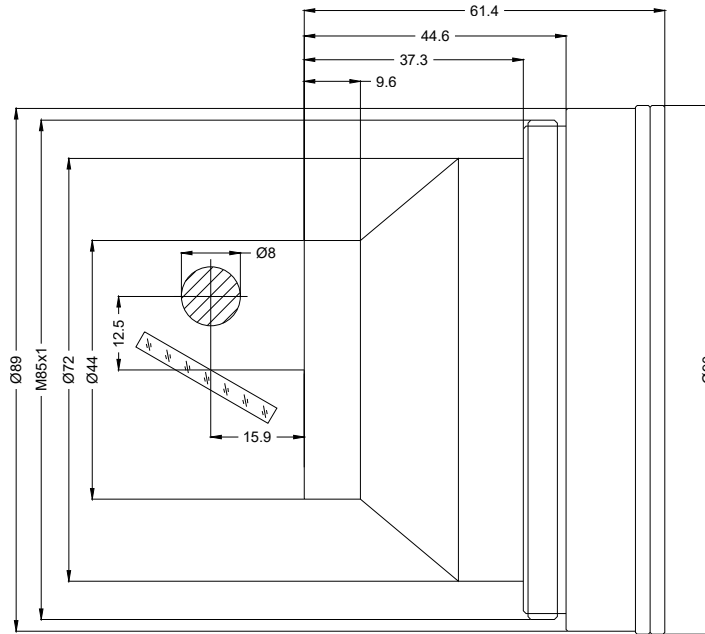
- Telecentric fused silica lens
- Wavelength 1030 – 1080 nm
- Nominal focal length 65 mm
- Max. input beam diameter 8 mm
- Maximum working area 20 x 20 mm



Wavelength	1030 – 1080 nm	Mirror distance m1/m2	12.5 / 15.9 mm
Nominal focal length	65 mm	Anti-reflective coating	Standard
Effective focal length	65.740 mm	Telecentric error	0.58 °
Flange focal length	97.790 mm	Cooling method	Air
Max. input beam diameter	8 mm	Lens material	Fused silica
Working distance	80.990 mm	Mounting thread	M85x1
Max. scan field	20 x 20 mm	Lens diameter	90 mm
Minimum spot size	15.82 µm		

Information is subject to change without notice.
Product photos are non-binding and may show customized features.





F-Theta lens

f-65T-8-1030-1080

Dimensions are given in millimeters and are intended as reference values.
Binding information is available on request.

