

F - T H E T A L E N S

f-87T-10-1030-1080

en | Data sheet | 1.0

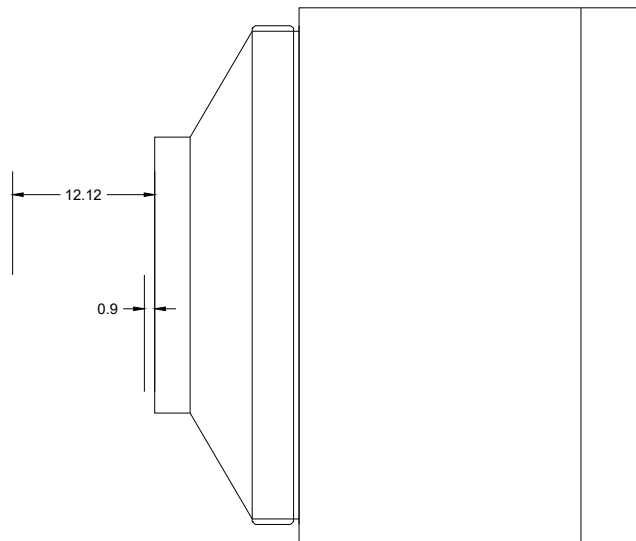
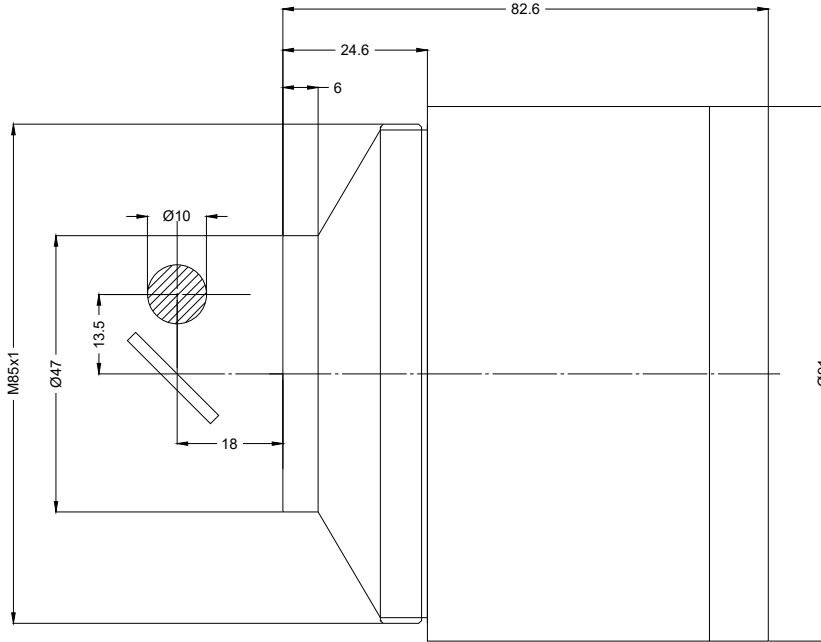
- Telecentric fused silica lens
- Wavelength 1030 – 1080 nm
- Nominal focal length 87 mm
- Max. input beam diameter 10 mm
- Maximum working area 30 x 30 mm



Wavelength	1030 – 1080 nm	Mirror distance m1/m2	13.5 / 18 mm
Nominal focal length	87 mm	Anti-reflective coating	Standard
Effective focal length	87.000 mm	Telecentric error	1.4 °
Flange focal length	157.240 mm	Cooling method	Air
Max. input beam diameter	10 mm	Lens material	Fused silica
Working distance	99.230 mm	Mounting thread	M85x1
Max. scan field	30 x 30 mm	Lens diameter	91 mm
Minimum spot size	8.61 µm		

Information is subject to change without notice.
Product photos are non-binding and may show customized features.





F-Theta lens

f-87T-10-1030-1080

Dimensions are given in millimeters and are intended as reference values.
Binding information is available on request.

