

F - T H E T A L E N S

f-100T-10-1940

en | Data sheet | 1.1

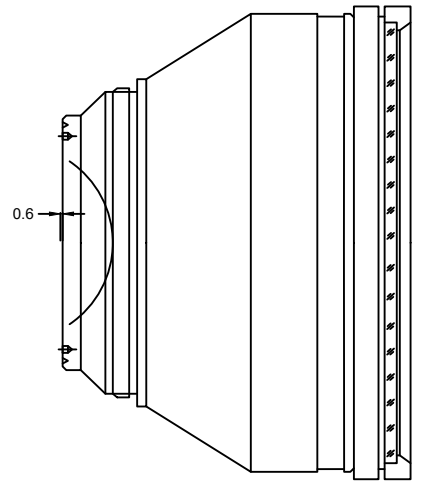
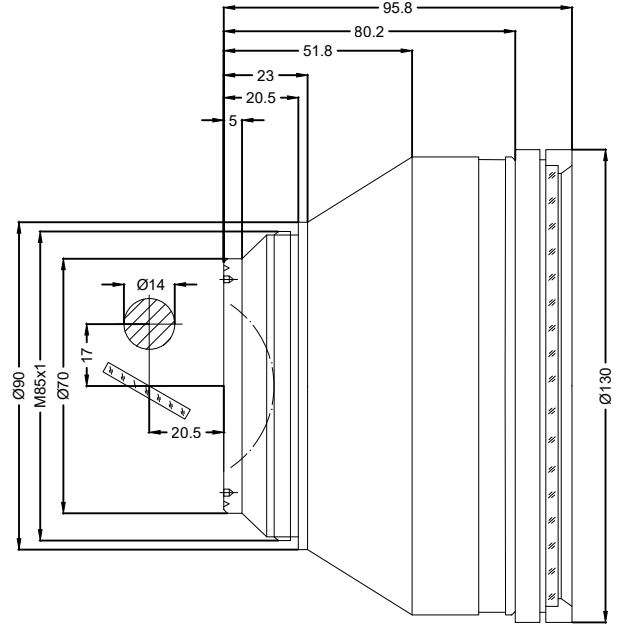
- Telecentric fused silica lens, 1940 nm
- Nominal focal length 100 mm
- Max. input beam diameter 10 mm
- Maximum working area 20 x 20 mm



Wavelength	1940 nm	Mirror distance m1/m2	17 / 20.5 mm
Nominal focal length	100 mm	Anti-reflective coating	Standard
Effective focal length	100.530 mm	Telecentric error	2.1 °
Flange focal length	209.797 mm	Cooling method	Air
Max. input beam diameter	10 mm	Lens material	Fused silica
Working distance	135.855 mm	Mounting thread	M85x1
Max. scan field	20 x 20 mm	Lens diameter	130 mm
Minimum spot size	35.5 µm		

Information is subject to change without notice.
Product photos are non-binding and may show customized features.





F-Theta lens

f-100T-10-1940

Dimensions are given in millimeters and are intended as reference values.
Binding information is available on request.

