

F - T H E T A L E N S

f-175T-14-355

en | Data sheet | 1.0

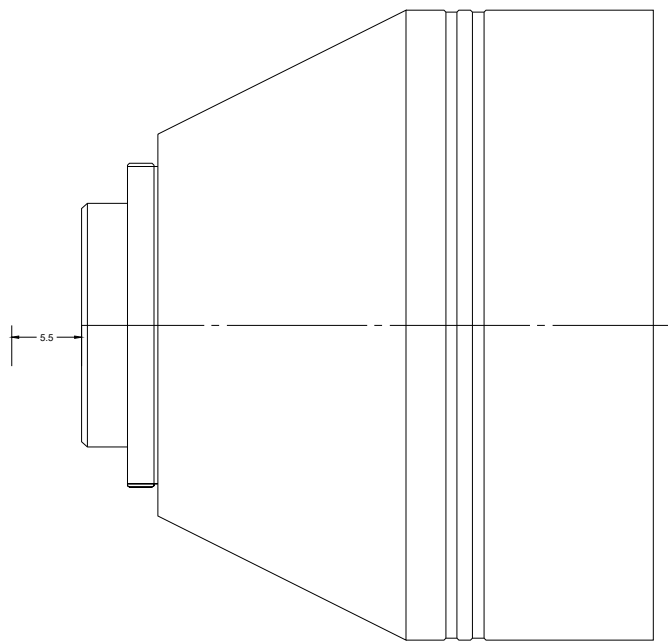
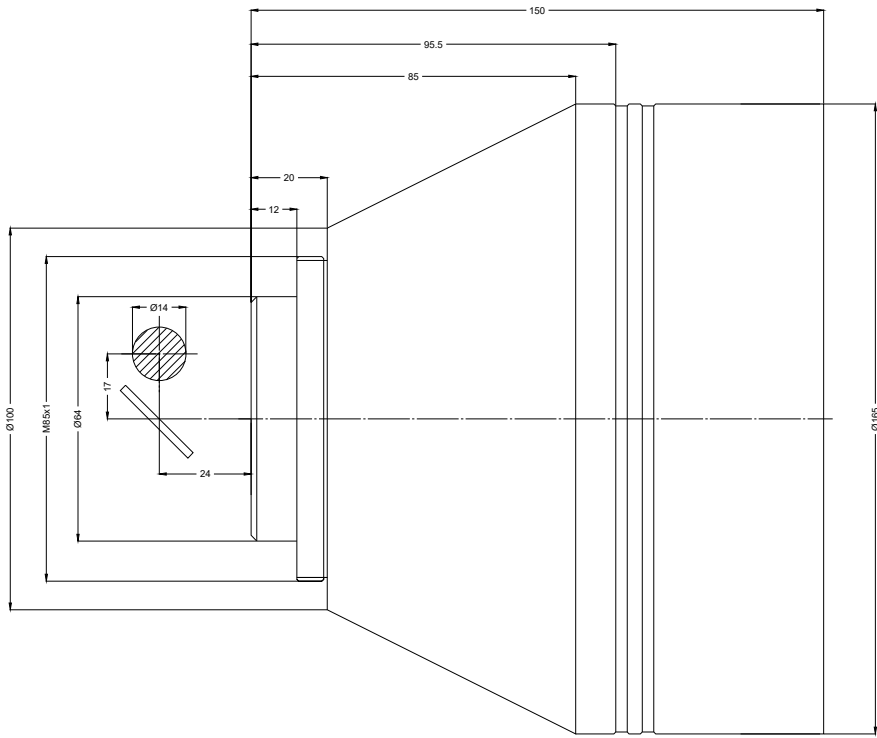
- Telecentric fused silica lens, 355 nm
- Nominal focal length 175 mm
- Max. input beam diameter 14 mm
- Maximum working area 100 x 100 mm
- Fine focus, high power density



Wavelength	355 nm	Mirror distance m1/m2	17 / 24 mm
Nominal focal length	175 mm	Anti-reflective coating	Standard
Effective focal length	175.000 mm	Telecentric error	2.5 °
Flange focal length	373.900 mm	Cooling method	Air
Max. input beam diameter	14 mm	Lens material	Fused silica
Working distance	240.400 mm	Mounting thread	M85x1
Max. scan field	100 x 100 mm	Lens diameter	160 mm
Minimum spot size	4.306 µm		

Information is subject to change without notice.
Product photos are non-binding and may show customized features.





F-Theta lens

f-175T-14-355

Dimensions are given in millimeters and are intended as reference values.
Binding information is available on request.

