

F - T H E T A L E N S

# f-30T-10-355

en | Data sheet | 1.1

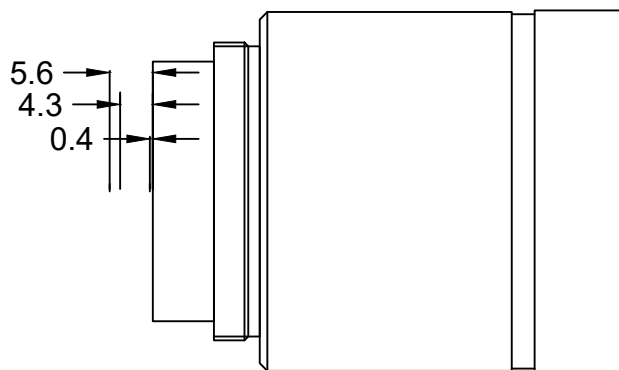
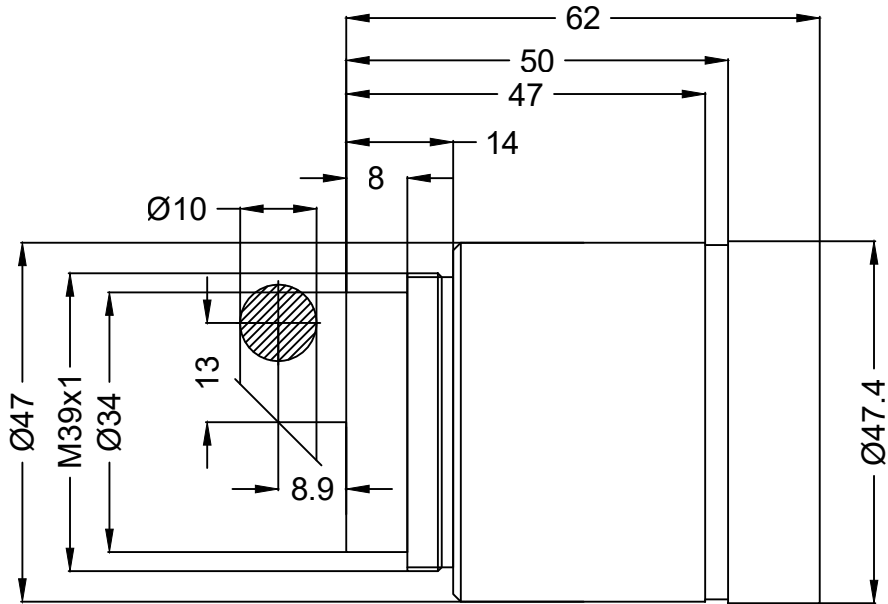
- Telecentric fused silica lens, 355 nm
- Nominal focal length 30 mm
- Max. input beam diameter 10 mm
- Maximum working area 8 x 8 mm



Wavelength	355 nm	Mirror distance m1/m2	13 / 8.9 mm
Nominal focal length	30 mm	Anti-reflective coating	Standard
Effective focal length	30.000 mm	Telecentric error	1.8 °
Flange focal length	83.347 mm	Cooling method	Air
Max. input beam diameter	10 mm	Lens material	Fused silica
Working distance	35.347 mm	Mounting thread	M39x1
Max. scan field	8 x 8 mm	Lens diameter	47.4 mm
Minimum spot size	1.95 µm		

Information is subject to change without notice.  
Product photos are non-binding and may show customized features.





F-Theta lens

f-30T-10-355

Dimensions are given in millimeters and are intended as reference values.  
Binding information is available on request.

