

F - T H E T A L E N S

f-100T-15-532

en | Data sheet | 1.1

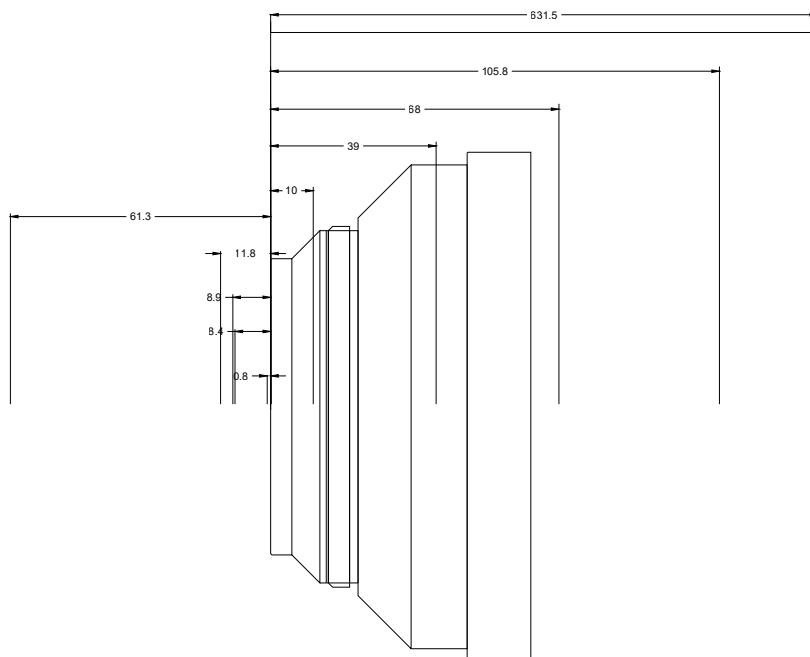
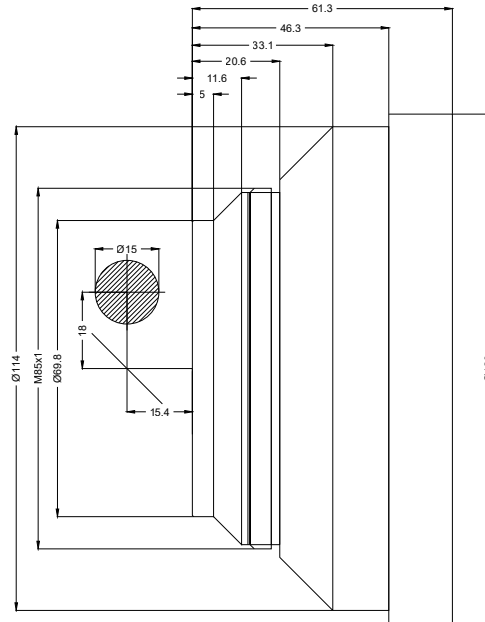
- Telecentric F-Theta Lens, 532 nm
- Nominal focal length 100 mm
- Max. input beam diameter 15 mm
- Maximum working area 54 x 54 mm
- Very fine focus, high precision



Wavelength	532 nm	Mirror distance m1/m2	18 / 15.4 mm
Nominal focal length	100 mm	Cooling method	Air
Effective focal length	101.877 mm	Lens material	Optical glass
Flange focal length	167.402 mm	Anti-reflective coating	Standard
Max. input beam diameter	15 mm	Telecentric error	4.5 °
Working distance	126.702 mm	Mounting thread	M85x1
Max. scan field	54 x 54 mm	Lens diameter	120 mm
Minimum spot size	6.6 μm		

Information is subject to change without notice.
Product photos are non-binding and may show customized features.





F-Theta lens

f-100T-15-532

Dimensions are given in millimeters and are intended as reference values.
Binding information is available on request.

