

F - T H E T A L E N S

f-163M-10-1030-1080

en | Data sheet | 1.1

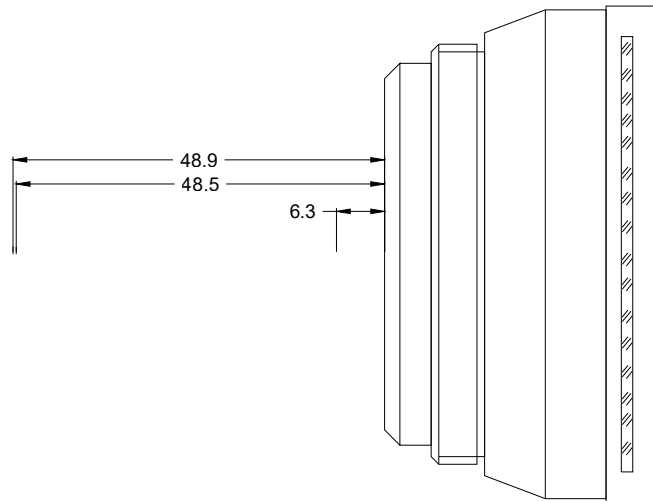
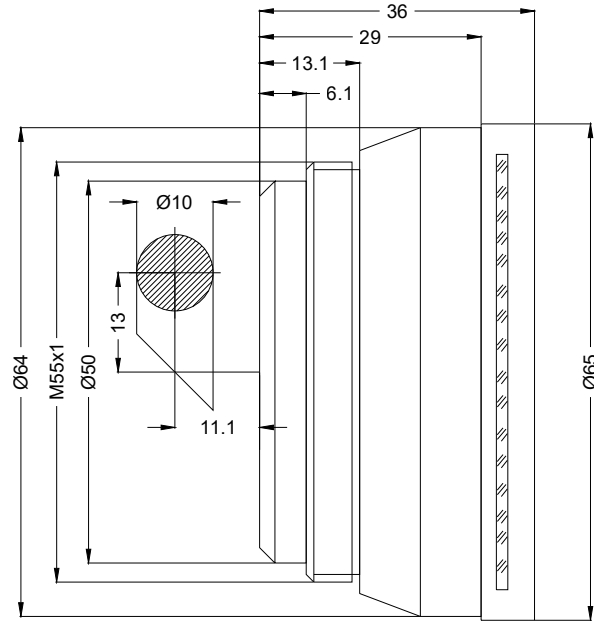
- Mini Fused Silica F-Theta Lens, 1030 – 1080 nm
- Nominal focal length 163 mm
- Max. input beam diameter 10 mm
- Maximum working area 100 x 100 mm
- Extra compact design



Wavelength	1030 – 1080 nm	Minimum spot size	31.7 µm
Nominal focal length	163 mm	Mirror distance m1/m2	13 / 11.1 mm
Effective focal length	163.000 mm	Anti-reflective coating	Standard
Flange focal length	214.202 mm	Cooling method	Air
Max. input beam diameter	10 mm	Lens material	Fused silica
Working distance	191.302 mm	Mounting thread	M55x1
Max. scan field	100 x 100 mm	Lens diameter	65 mm

Information is subject to change without notice.
Product photos are non-binding and may show customized features.





F-Theta lens

f-163M-10-1030-1080

Dimensions are given in millimeters and are intended as reference values.
Binding information is available on request.

