

F - T H E T A L E N S

f-160-10-1030-1080-v2

en | Data sheet | 1.0

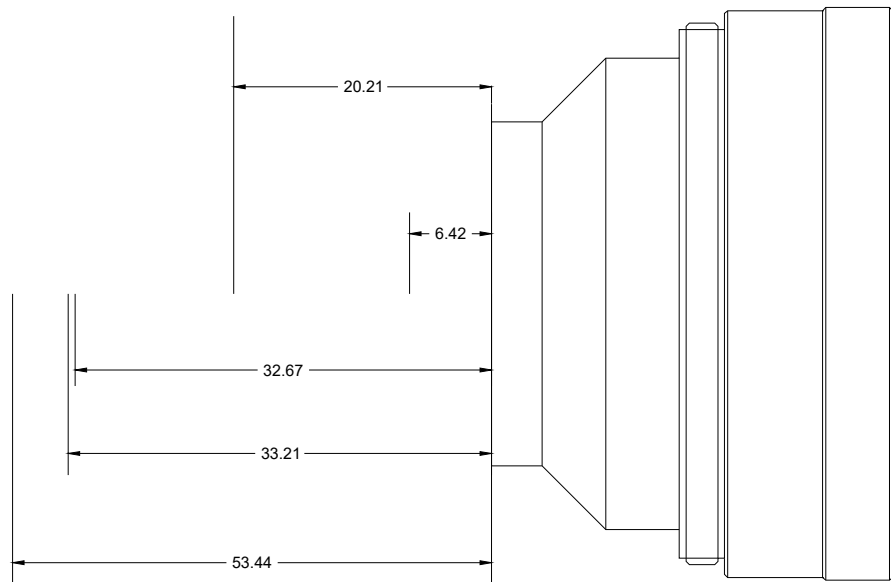
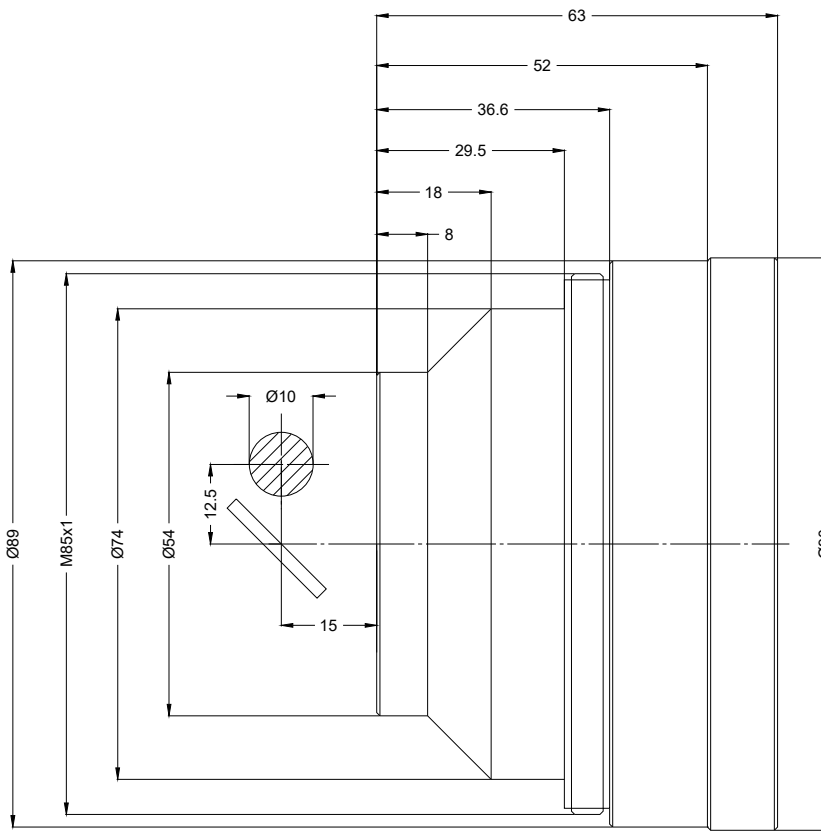
- Fused silica lens, 1030 – 1080 nm
- Nominal focal length 160 mm
- Max. input beam diameter 10 mm
- Maximum working area 110 x 110 mm



Wavelength	1030 – 1080 nm	Minimum spot size	16.87 µm
Nominal focal length	160 mm	Mirror distance m1/m2	12.5 / 15 mm
Effective focal length	160.000 mm	Anti-reflective coating	Standard
Flange focal length	233.140 mm	Cooling method	Air
Max. input beam diameter	10 mm	Lens material	Fused silica
Working distance	206.740 mm	Mounting thread	M85x1
Max. scan field	100 x 100 mm	Lens diameter	90 mm

Information is subject to change without notice.
Product photos are non-binding and may show customized features.





F-Theta lens

f-160-10-1030-1080-v2

Dimensions are given in millimeters and are intended as reference values.
Binding information is available on request.

