

F - T H E T A L E N S

f-163-20-1030-1080

en | Data sheet | 1.1

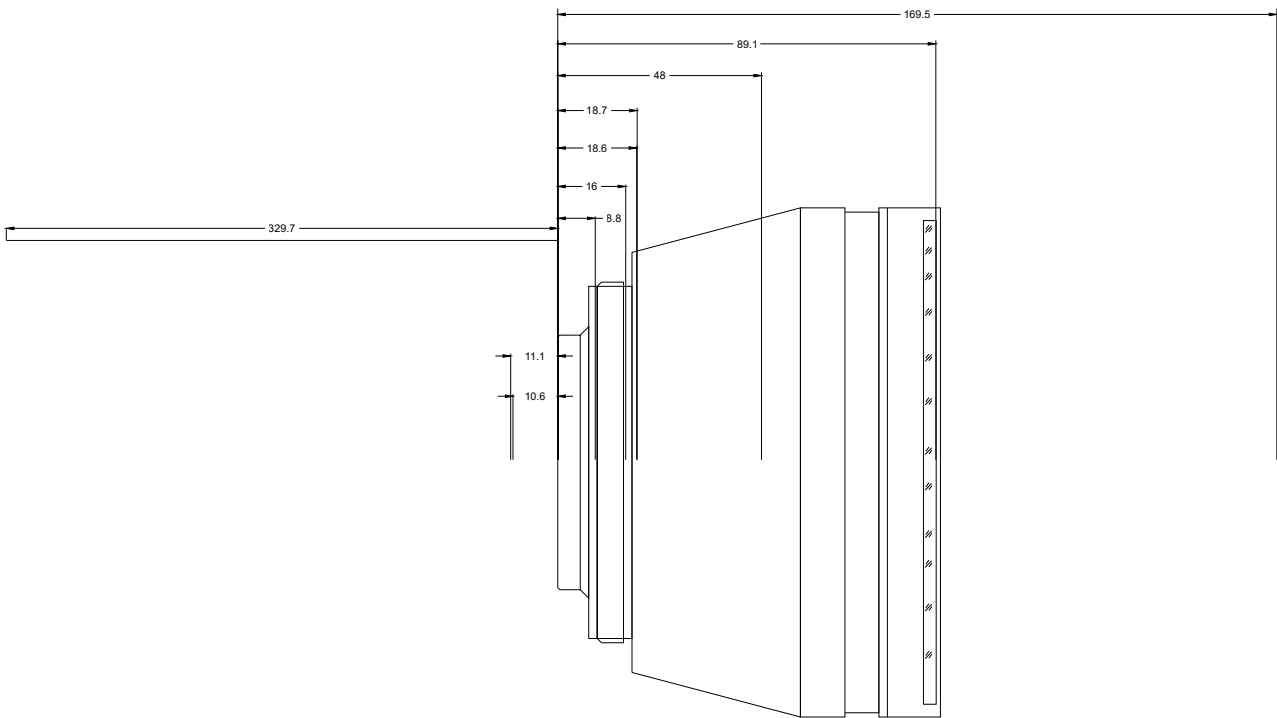
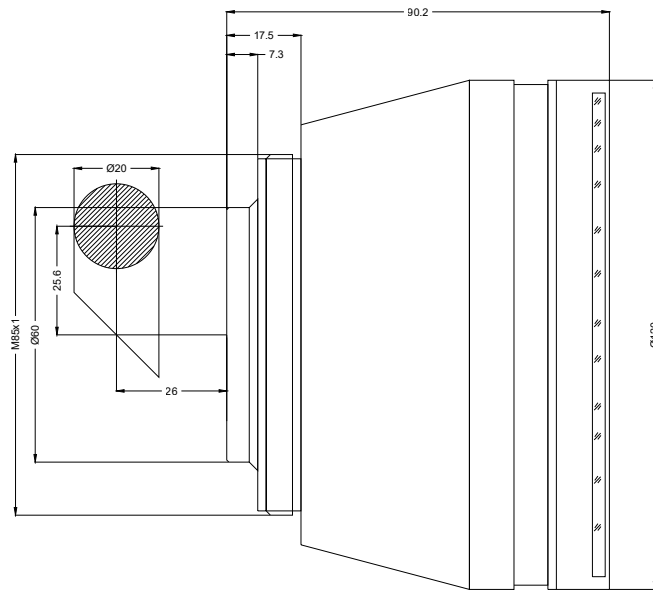
- Fused silica lens, 1030 – 1080 nm
- Nominal focal length 163 mm
- Max. input beam diameter 20 mm
- Maximum working area 70 x 70 mm
- Very fine focus, high power density



Wavelength	1030 – 1080 nm	Minimum spot size	15.86 μ m
Nominal focal length	163 mm	Mirror distance m1/m2	25.6 / 26 mm
Effective focal length	163.243 mm	Anti-reflective coating	Standard
Flange focal length	292.795 mm	Cooling method	Air
Max. input beam diameter	20 mm	Lens material	Fused silica
Working distance	220.095 mm	Mounting thread	M85x1
Max. scan field	70 x 70 mm	Lens diameter	120 mm

Information is subject to change without notice.
Product photos are non-binding and may show customized features.





F-Theta lens

f-163-20-1030-1080

Dimensions are given in millimeters and are intended as reference values.
Binding information is available on request.

