

F - T H E T A L E N S

f-206-20-1030-1080

en | Data sheet | 1.1

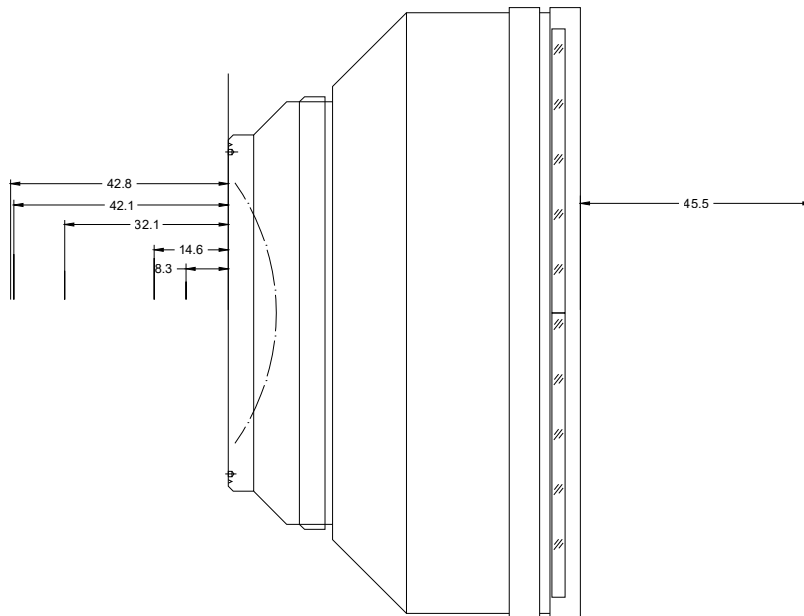
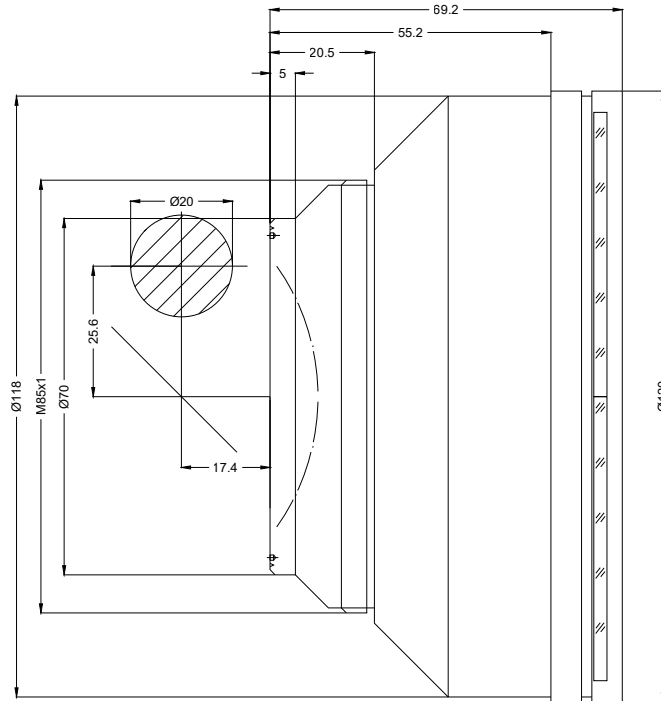
- Fused silica lens, 1030 – 1080 nm
- Nominal focal length 206 mm
- Max. input beam diameter 20 mm
- Maximum working area 110 x 110 mm
- Very fine focus, high power density



Wavelength	1030 – 1080 nm	Minimum spot size	20.06 µm
Nominal focal length	206 mm	Mirror distance m1/m2	25.6 / 17.4 mm
Effective focal length	205.710 mm	Anti-reflective coating	Standard
Flange focal length	306.700 mm	Cooling method	Air
Max. input beam diameter	20 mm	Lens material	Fused silica
Working distance	258.000 mm	Mounting thread	M85x1
Max. scan field	110 x 110 mm	Lens diameter	120 mm

Information is subject to change without notice.
Product photos are non-binding and may show customized features.





F-Theta lens

f-206-20-1030-1080

Dimensions are given in millimeters and are intended as reference values.
Binding information is available on request.

