

F - T H E T A L E N S

f-420-10-1030-1080

en | Data sheet | 1.0.1

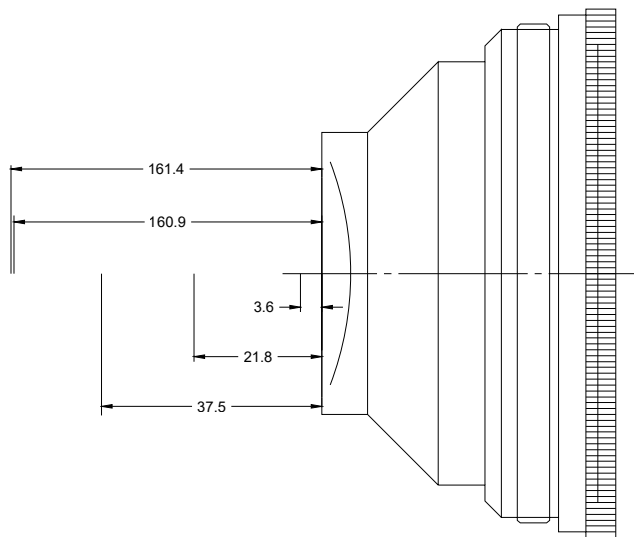
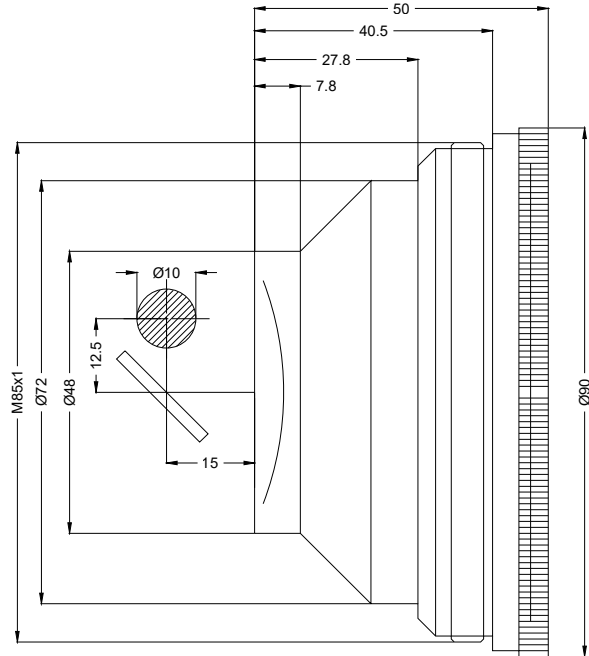
- Fused silica lens, 1030 – 1080 nm
- Nominal focal length 420 mm
- Max. input beam diameter 10 mm
- Maximum working area 300 x 300 mm



Wavelength	1030 – 1080 nm	Minimum spot size	72.17 µm
Nominal focal length	420 mm	Mirror distance m1/m2	12.5 / 15 mm
Effective focal length	420.000 mm	Anti-reflective coating	Standard
Flange focal length	490.089 mm	Cooling method	Air
Max. input beam diameter	10 mm	Lens material	Fused silica
Working distance	480.589 mm	Mounting thread	M85x1
Max. scan field	300 x 300 mm	Lens diameter	90 mm

Information is subject to change without notice.
Product photos are non-binding and may show customized features.





F-Theta lens

f-420-10-1030-1080

Dimensions are given in millimeters and are intended as reference values.
Binding information is available on request.

