

F - T H E T A L E N S

# f-480-20-1030-1080-W

en | Data sheet | 1.0

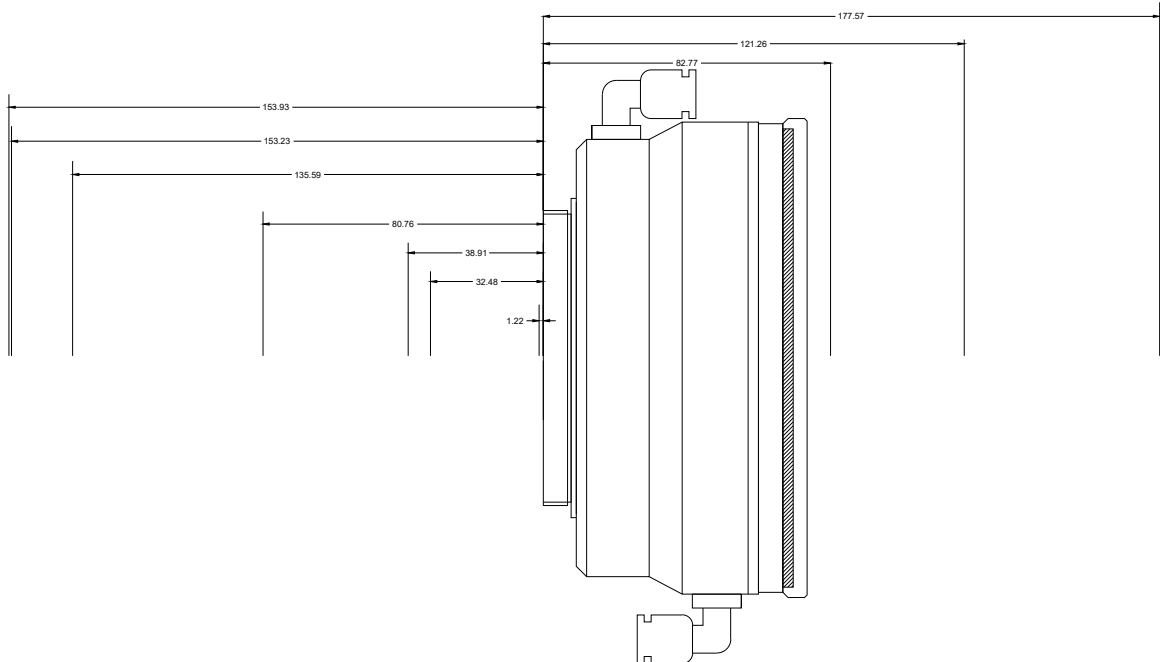
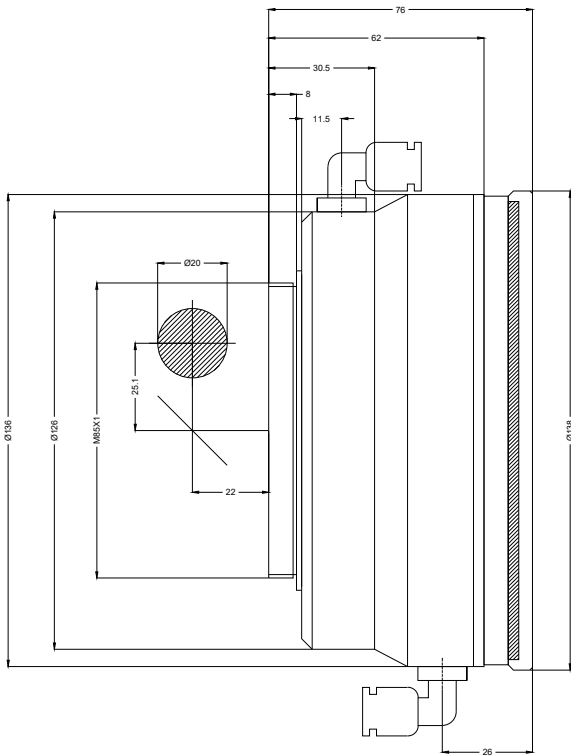
- Fused silica lens, 1030 – 1080 nm
- Nominal focal length 480 mm
- Max. input beam diameter 20 mm
- Maximum working area 280 x 280 mm
- Water-cooled, high power compatibility



Wavelength	1030 – 1080 nm	Minimum spot size	46.73 $\mu$ m
Nominal focal length	480 mm	Mirror distance m1/m2	25.12 / 20 mm
Effective focal length	480.047 mm	Anti-reflective coating	Standard
Flange focal length	645.743 mm	Cooling method	Water
Max. input beam diameter	20 mm	Lens material	Fused silica
Working distance	577.743 mm	Mounting thread	M85x1
Max. scan field	280 x 280 mm	Lens diameter	138 mm

Information is subject to change without notice.  
Product photos are non-binding and may show customized features.





F-Theta lens

f-480-20-1030-1080-W

Dimensions are given in millimeters and are intended as reference values.  
Binding information is available on request.

