

F - T H E T A L E N S

f-275-20-10.6

en | Data sheet | 1.1.1

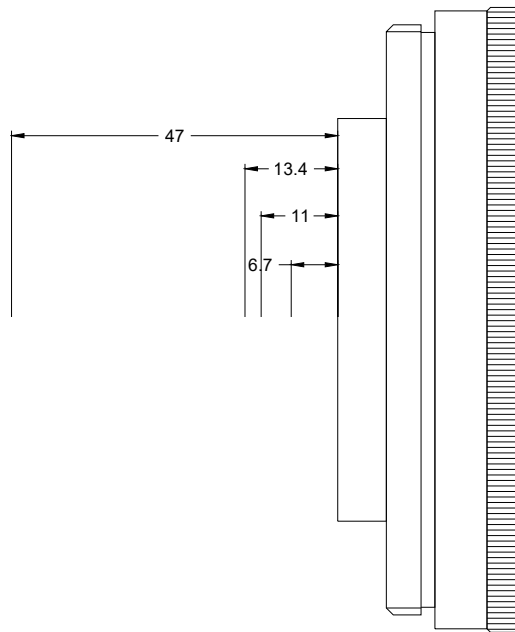
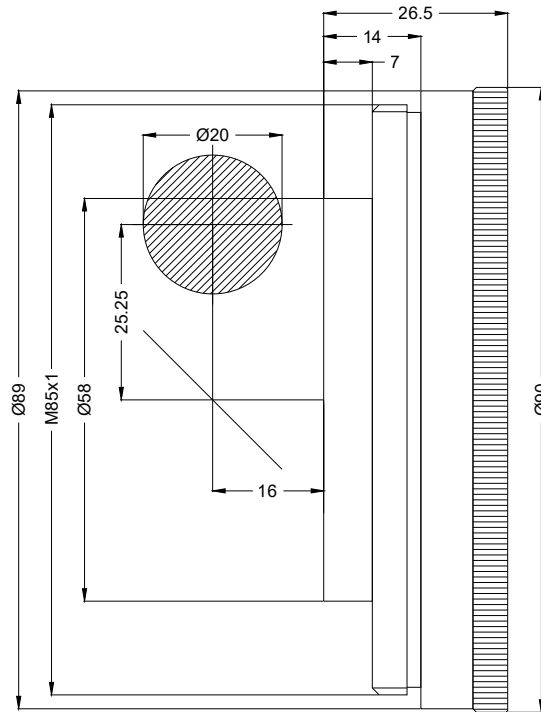
- F-Theta Lens 10600 nm, ZnSe
- Nominal focal length 275 mm
- Max. input beam diameter 20 mm
- Maximum working area 150 x 150 mm



Wavelength	10600 nm	Minimum spot size	156.81 μ m
Nominal focal length	275 mm	Mirror distance m1/m2	25.25 / 16 mm
Effective focal length	275.000 mm	Anti-reflective coating	Standard
Flange focal length	322.467 mm	Cooling method	Air
Max. input beam diameter	20 mm	Lens material	ZnSe
Working distance	309.970 mm	Mounting thread	M85x1
Max. scan field	150 x 150 mm	Lens diameter	90 mm

Information is subject to change without notice.
Product photos are non-binding and may show customized features.





F-Theta lens

f-275-20-10.6

Dimensions are given in millimeters and are intended as reference values.
Binding information is available on request.

