

F - T H E T A L E N S

# f-300-30-10.6

en | Data sheet | 1.0

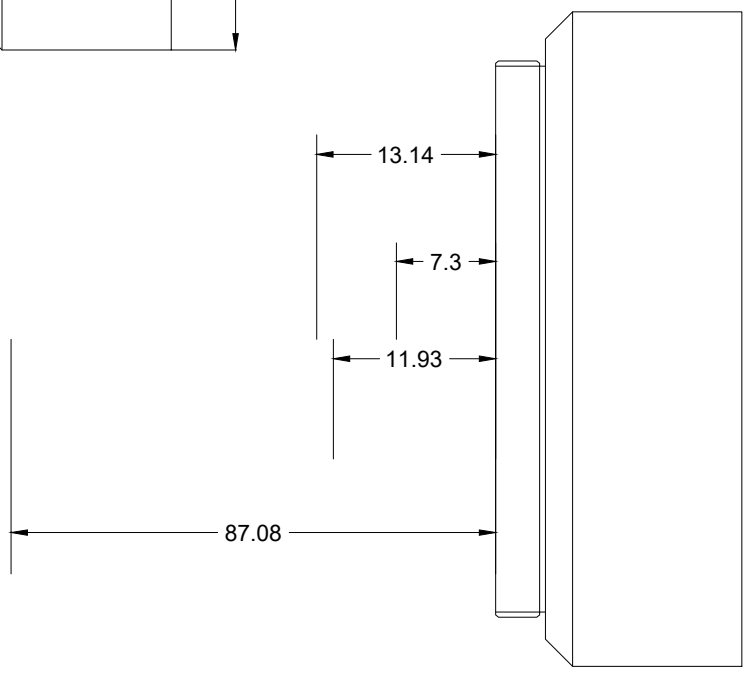
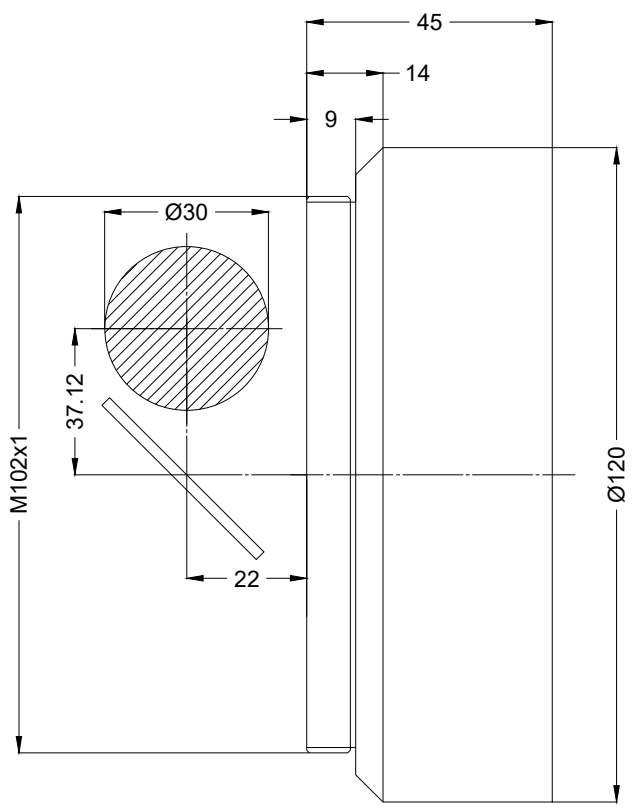
- F-Theta Lens 10600 nm, ZnSe
- Nominal focal length 300 mm
- Max. input beam diameter 30 mm
- Maximum working area 200 x 200 mm



Wavelength	10600 nm	Minimum spot size	114.6 μm
Nominal focal length	300 mm	Mirror distance m1/m2	37.12 / 22 mm
Effective focal length	300.000 mm	Anti-reflective coating	Standard
Flange focal length	384.800 mm	Cooling method	Air
Max. input beam diameter	30 mm	Lens material	ZnSe
Working distance	348.800 mm	Mounting thread	M102x1
Max. scan field	200 x 200 mm	Lens diameter	120 mm

Information is subject to change without notice.  
Product photos are non-binding and may show customized features.





F-Theta lens

f-300-30-10.6

Dimensions are given in millimeters and are intended as reference values.  
Binding information is available on request.

