

F - T H E T A L E N S

f-480-20-10.6

en | Data sheet | 1.1

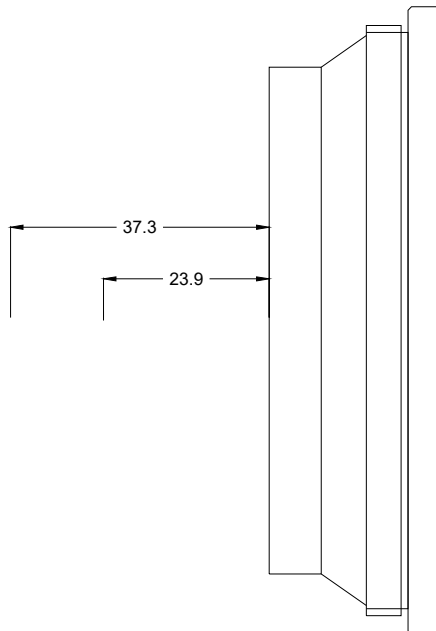
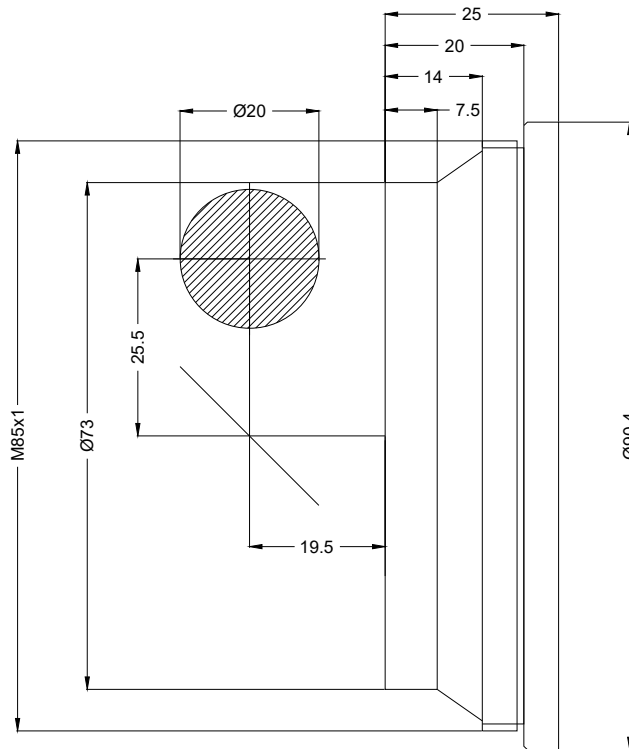
- F-Theta Lens 10600 nm, ZnSe
- Nominal focal length 480 mm
- Max. input beam diameter 20 mm
- Maximum working area 350 x 350 mm



| | | | |
|--------------------------|--------------|-------------------------|-----------------|
| Wavelength | 10600 nm | Minimum spot size | 466.52 μm |
| Nominal focal length | 480 mm | Mirror distance m1/m2 | 25.5 / 19.53 mm |
| Effective focal length | 481.352 mm | Anti-reflective coating | Standard |
| Flange focal length | 472.700 mm | Cooling method | Air |
| Max. input beam diameter | 20 mm | Lens material | ZnSe |
| Working distance | 467.700 mm | Mounting thread | M85x1 |
| Max. scan field | 350 x 350 mm | Lens diameter | 90 mm |

Information is subject to change without notice.
Product photos are non-binding and may show customized features.





F-Theta lens

f-480-20-10.6

Dimensions are given in millimeters and are intended as reference values.
Binding information is available on request.

