

F - T H E T A L E N S

f-70-10-10.6

en | Data sheet | 1.1

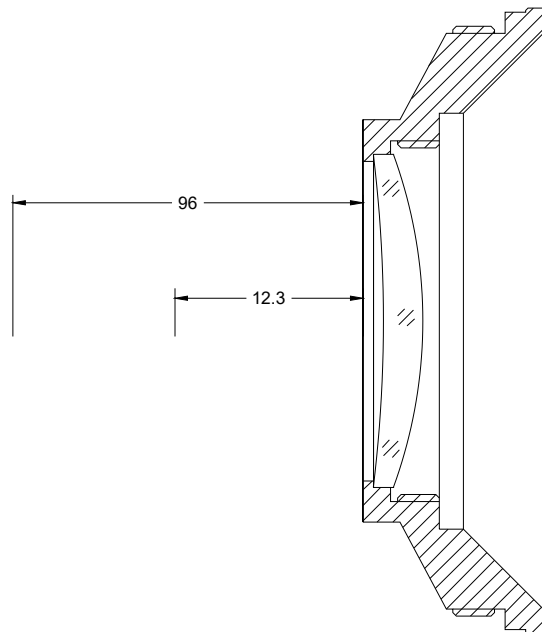
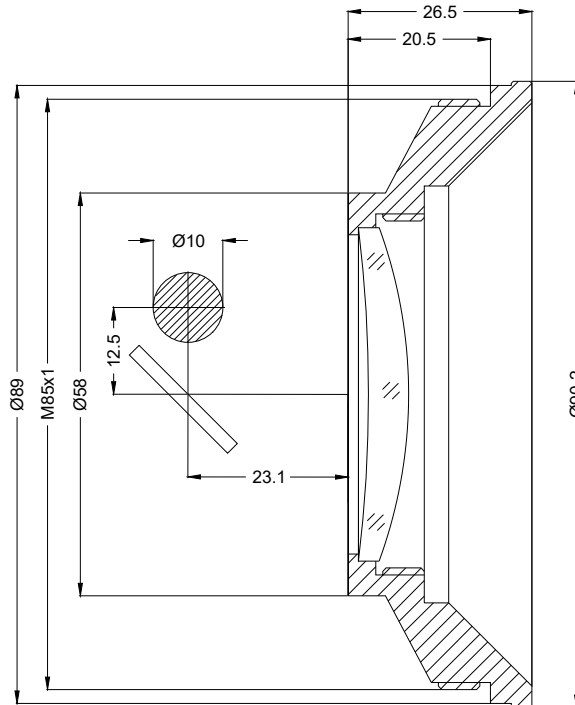
- F-Theta Lens 10600 nm, ZnSe
- Nominal focal length 70 mm
- Max. input beam diameter 10 mm
- Maximum working area 50 x 50 mm



Wavelength	10600 nm	Minimum spot size	135.79 µm
Nominal focal length	70 mm	Mirror distance m1/m2	12.5 / 17 – 23 mm
Effective focal length	70.000 mm	Anti-reflective coating	Standard
Flange focal length	63.130 mm	Cooling method	Air
Max. input beam diameter	10 mm	Lens material	ZnSe
Working distance	57.130 mm	Mounting thread	M85x1
Max. scan field	50 x 50 mm	Lens diameter	90 mm

Information is subject to change without notice.
Product photos are non-binding and may show customized features.





F-Theta lens

f-70-10-10.6

Dimensions are given in millimeters and are intended as reference values.
Binding information is available on request.

