

F - T H E T A L E N S

f-100M-6-1064

en | Data sheet | 1.0

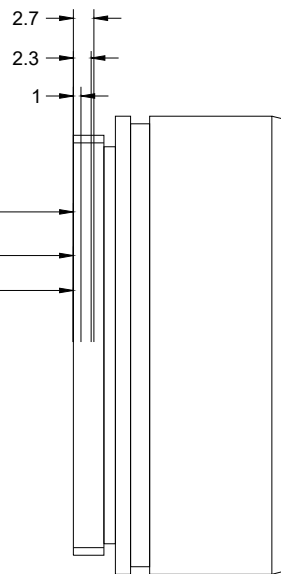
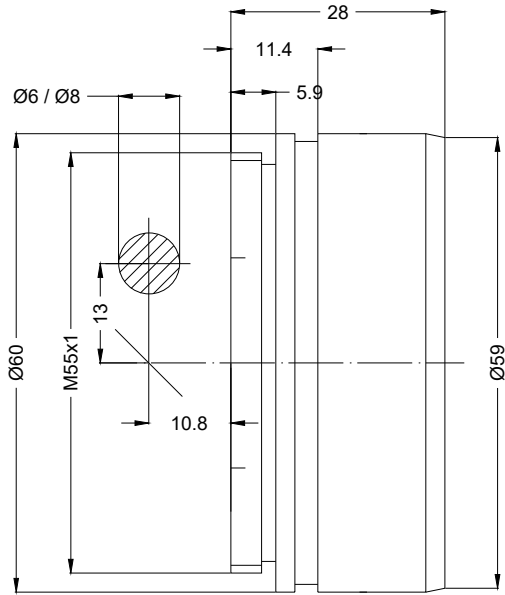
- Mini F-Theta Lens, 1064 nm
- Nominal focal length 100 mm
- Max. input beam diameter 6 mm
- Maximum working area 70 x 70 mm
- Extra compact design



Wavelength	1064 nm	Minimum spot size	32.4 μm
Nominal focal length	100 mm	Mirror distance m1/m2	13 / 10.75 mm
Effective focal length	100.000 mm	Anti-reflective coating	Standard
Flange focal length	135.983 mm	Cooling method	Air
Max. input beam diameter	6 mm	Lens material	Optical glass
Working distance	113.853 mm	Mounting thread	M55x1
Max. scan field	70 x 70 mm	Lens diameter	59 mm

Information is subject to change without notice.
Product photos are non-binding and may show customized features.





F-Theta lens

f-100M-6-1064

Dimensions are given in millimeters and are intended as reference values.
Binding information is available on request.

