

F - T H E T A L E N S

f-160M-10-1064

en | Data sheet | 1.1

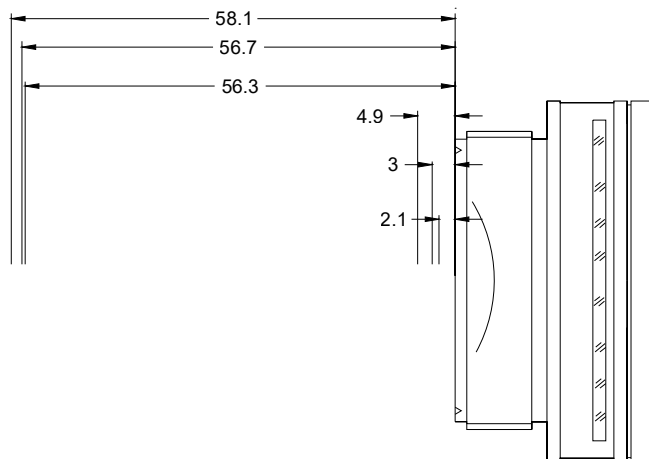
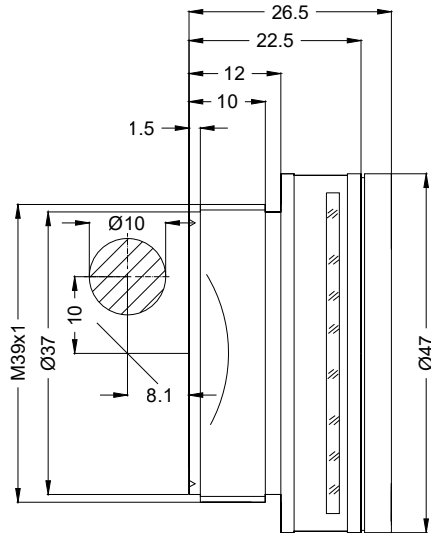
- Mini F-Theta Lens, 1064 nm
- Nominal focal length 160 mm
- Max. input beam diameter 10 mm
- Maximum working area 100 x 100 mm
- Extra compact design



Wavelength	1064 nm	Minimum spot size	31.15 µm
Nominal focal length	160 mm	Mirror distance m1/m2	10 / 8.16 mm
Effective focal length	159.650 mm	Anti-reflective coating	Standard
Flange focal length	193.163 mm	Cooling method	Air
Max. input beam diameter	10 mm	Lens material	Optical glass
Working distance	178.663 mm	Mounting thread	M39x1
Max. scan field	100 x 100 mm	Lens diameter	47 mm

Information is subject to change without notice.
Product photos are non-binding and may show customized features.





F-Theta lens

f-160M-10-1064

Dimensions are given in millimeters and are intended as reference values.
Binding information is available on request.

