

F - T H E T A L E N S

f-100G-10-1064

en | Data sheet | 1.1

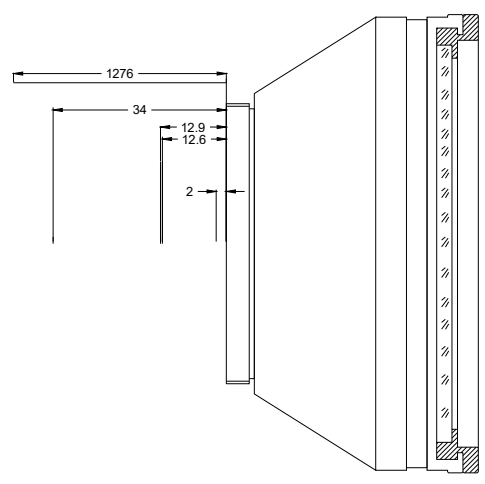
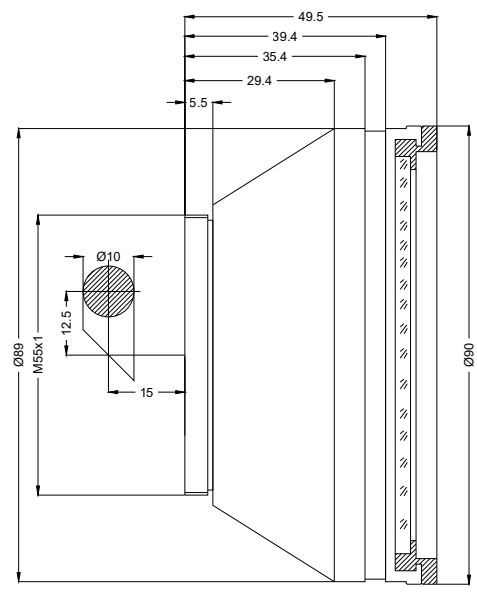
- F-Theta Focusing Lens, 1064 nm
- Nominal focal length 100 mm
- Max. input beam diameter 10 mm
- Maximum working area 70 x 70 mm



Wavelength	1064 nm	Minimum spot size	19.5 µm
Nominal focal length	100 mm	Mirror distance m1/m2	12.5 / 15 mm
Effective focal length	100.260 mm	Anti-reflective coating	Standard
Flange focal length	127.990 mm	Cooling method	Air
Max. input beam diameter	10 mm	Lens material	Optical glass
Working distance	118.485 mm	Mounting thread	M85x1
Max. scan field	70 x 70 mm	Lens diameter	90 mm

Information is subject to change without notice.
Product photos are non-binding and may show customized features.





F-Theta lens

f-100G-10-1064

Dimensions are given in millimeters and are intended as reference values.
Binding information is available on request.

