

F - T H E T A L E N S

# f-130-10-1064

en | Data sheet | 1.1

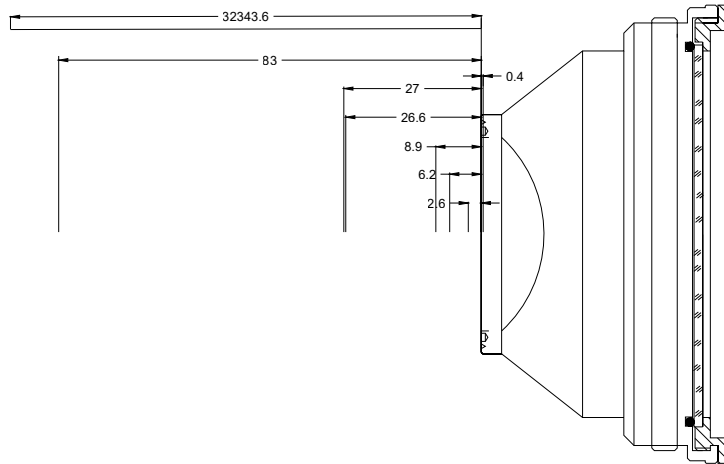
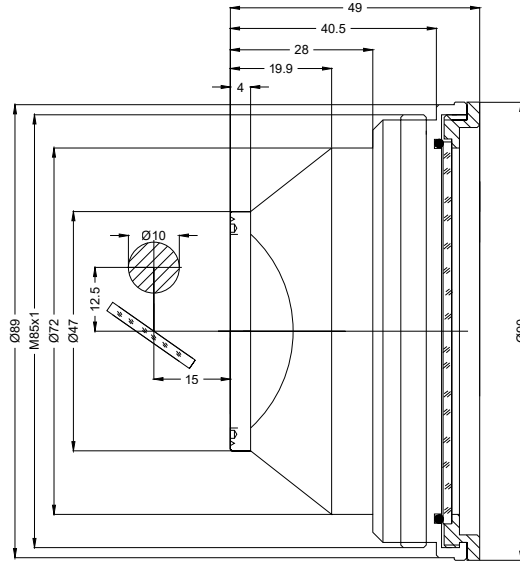
- F-Theta Focusing Lens, 1064 nm
- Nominal focal length 130 mm
- Max. input beam diameter 10 mm
- Maximum working area 85 x 85 mm



|                          |            |                         |                     |
|--------------------------|------------|-------------------------|---------------------|
| Wavelength               | 1064 nm    | Minimum spot size       | 25.31 µm            |
| Nominal focal length     | 130 mm     | Mirror distance m1/m2   | 12.5 / 13.5 – 15 mm |
| Effective focal length   | 130.000 mm | Anti-reflective coating | Standard            |
| Flange focal length      | 152.500 mm | Cooling method          | Air                 |
| Max. input beam diameter | 10 mm      | Lens material           | Optical glass       |
| Working distance         | 141.960 mm | Mounting thread         | M85x1               |
| Max. scan field          | 85 x 85 mm | Lens diameter           | 90 mm               |

Information is subject to change without notice.  
Product photos are non-binding and may show customized features.





F-Theta lens

f-130-10-1064

Dimensions are given in millimeters and are intended as reference values.  
Binding information is available on request.

