

F - T H E T A L E N S

f-330-30-1064

en | Data sheet | 1.1

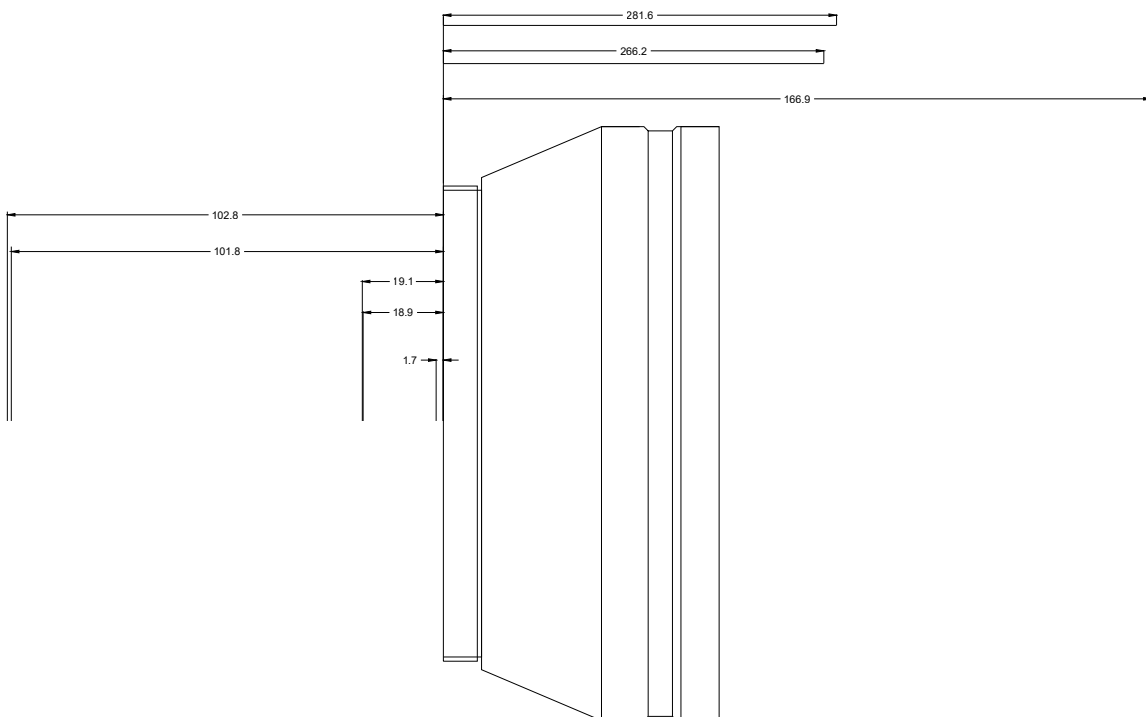
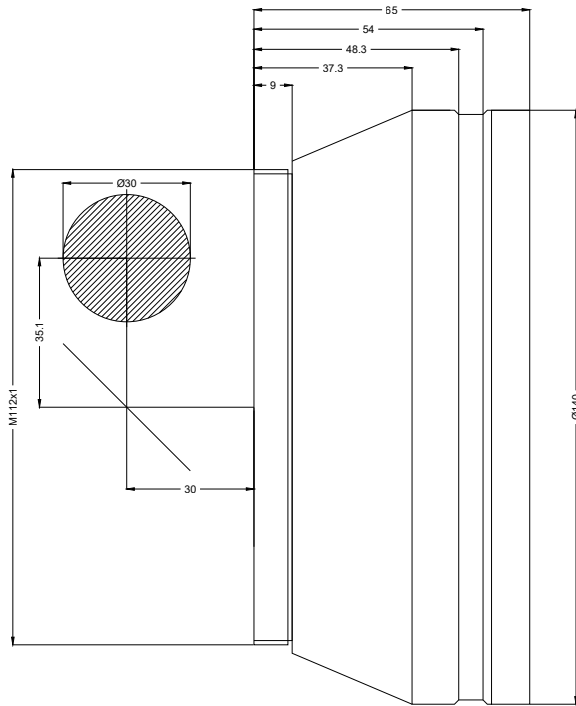
- F-Theta Focusing Lens, 1064 nm
- Nominal focal length 330 mm
- Max. input beam diameter 30 mm
- Maximum working area 200 x 200 mm



Wavelength	1064 nm	Minimum spot size	21.42 μ m
Nominal focal length	330 mm	Mirror distance m1/m2	35.12 / 30 mm
Effective focal length	328.387 mm	Anti-reflective coating	Standard
Flange focal length	444.590 mm	Cooling method	Air
Max. input beam diameter	30 mm	Lens material	Optical glass
Working distance	388.590 mm	Mounting thread	M112x1
Max. scan field	200 x 200 mm	Lens diameter	140 mm

Information is subject to change without notice.
Product photos are non-binding and may show customized features.





F-Theta lens

f-330-30-1064

Dimensions are given in millimeters and are intended as reference values.
Binding information is available on request.

