

F - T H E T A L E N S

# f-350-20-1064

en | Data sheet | 1.1

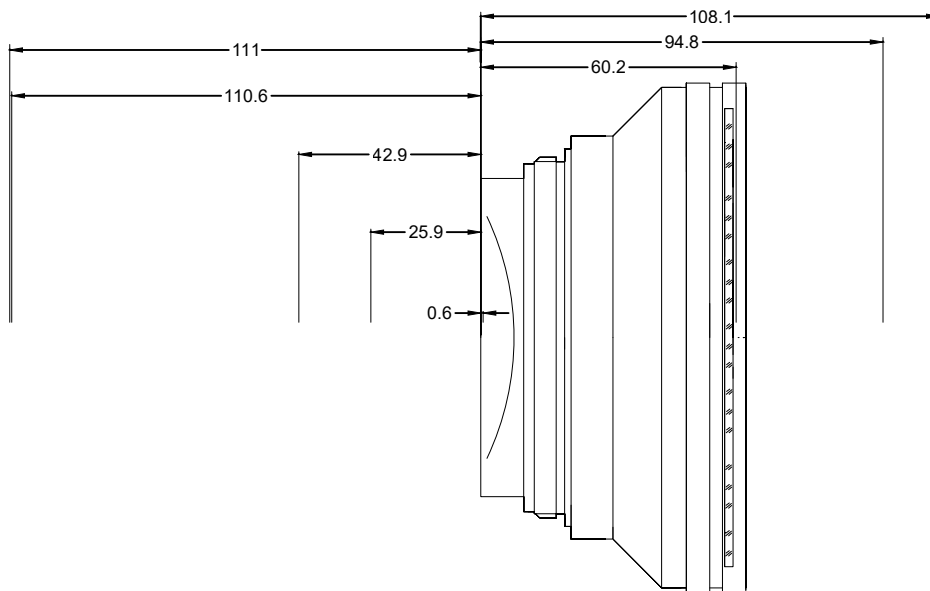
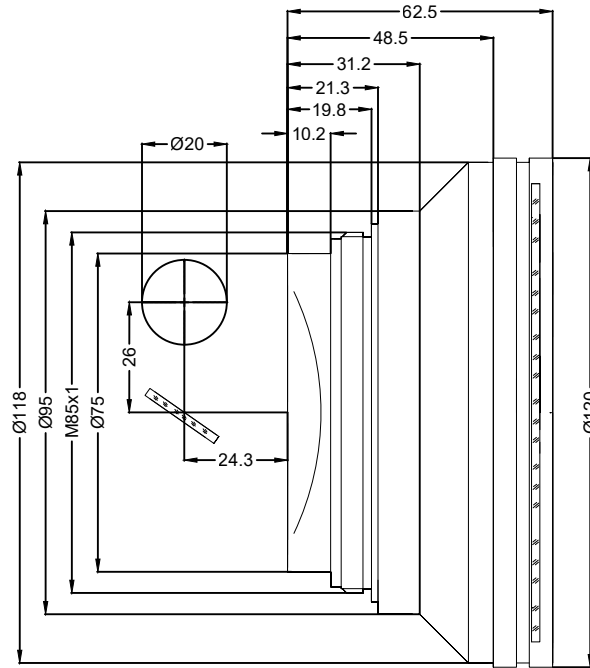
- F-Theta Focusing Lens, 1064 nm
- Nominal focal length 350 mm
- Max. input beam diameter 20 mm
- Maximum working area 244 x 244 mm



|                          |              |                         |                       |
|--------------------------|--------------|-------------------------|-----------------------|
| Wavelength               | 1064 nm      | Minimum spot size       | 34.07 µm              |
| Nominal focal length     | 350 mm       | Mirror distance m1/m2   | 25.9 / 16.9 – 24.4 mm |
| Effective focal length   | 350.410 mm   | Anti-reflective coating | Standard              |
| Flange focal length      | 460.510 mm   | Cooling method          | Air                   |
| Max. input beam diameter | 20 mm        | Lens material           | Optical glass         |
| Working distance         | 417.814 mm   | Mounting thread         | M85x1                 |
| Max. scan field          | 244 x 244 mm | Lens diameter           | 120 mm                |

Information is subject to change without notice.  
Product photos are non-binding and may show customized features.





F-Theta lens

f-350-20-1064

Dimensions are given in millimeters and are intended as reference values.  
Binding information is available on request.

