

F - T H E T A L E N S

f-420-10-1064

en | Data sheet | 1.1.1

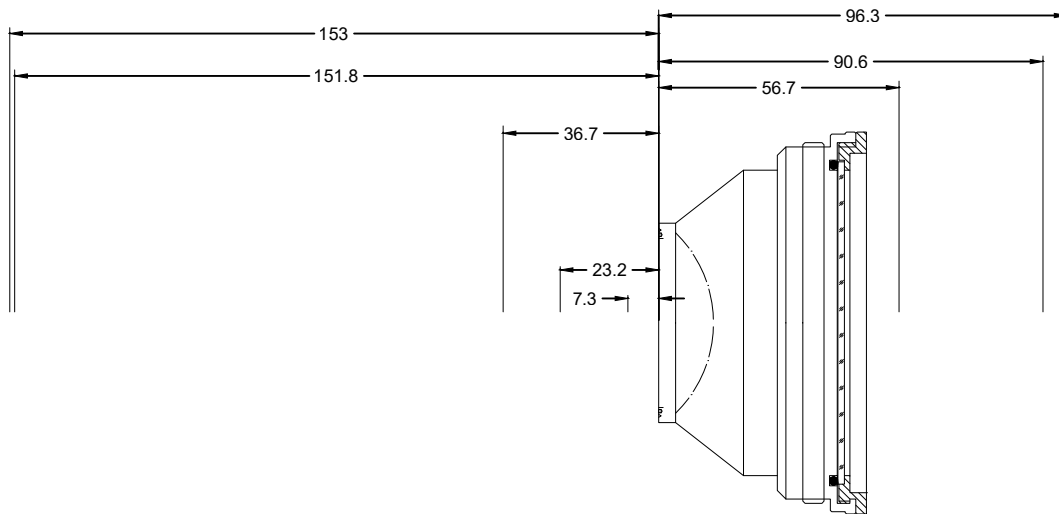
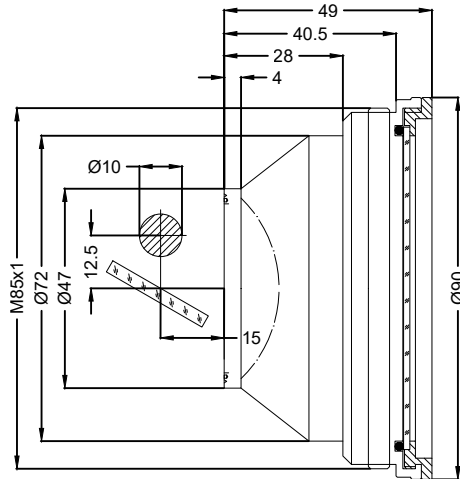
- F-Theta Focusing Lens, 1064 nm
- Nominal focal length 420 mm
- Max. input beam diameter 10 mm
- Maximum working area 296 x 296 mm
- Very compact design



Wavelength	1064 nm	Mirror distance m1/m2	12.5 / 15 mm
Nominal focal length	420 mm	Anti-reflective coating	Standard
Effective focal length	420.000 mm	Cooling method	Air
Flange focal length	489.822 mm	Lens material	Optical glass
Working distance	481.322 mm	Mounting thread	M85x1
Max. scan field	296 x 296 mm	Lens diameter	90 mm
Minimum spot size	81.7 μ m		

Information is subject to change without notice.
Product photos are non-binding and may show customized features.





F-Theta lens

f-420-10-1064

Dimensions are given in millimeters and are intended as reference values.
Binding information is available on request.

