

F - T H E T A L E N S

f-420-30-1064

en | Data sheet | 1.1.1

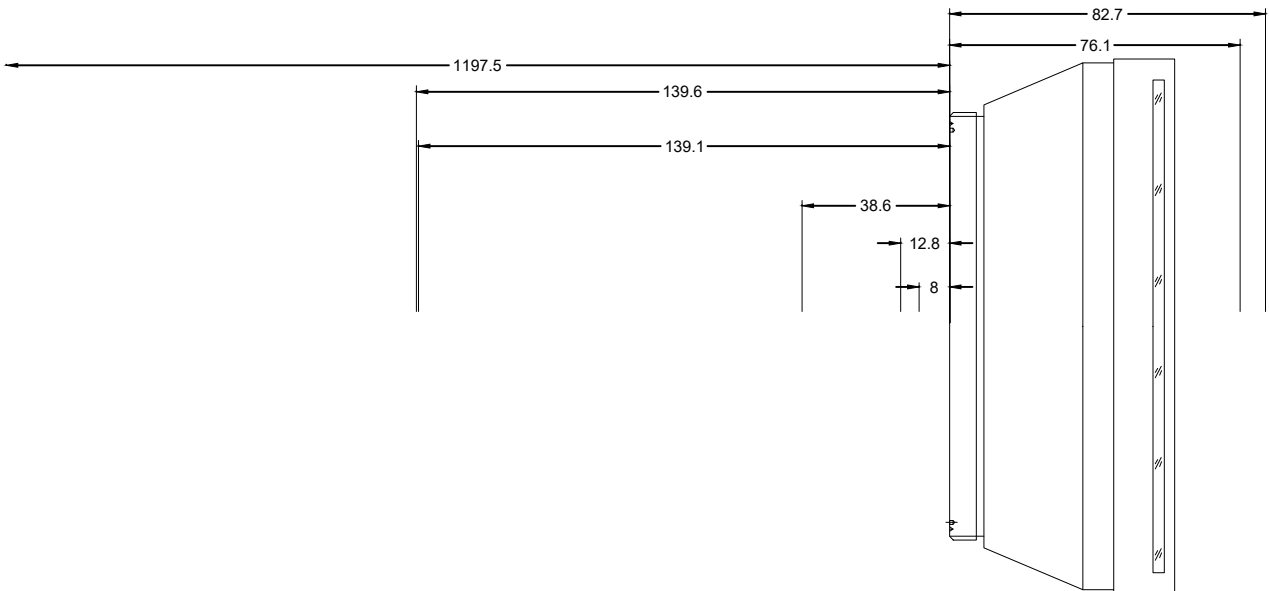
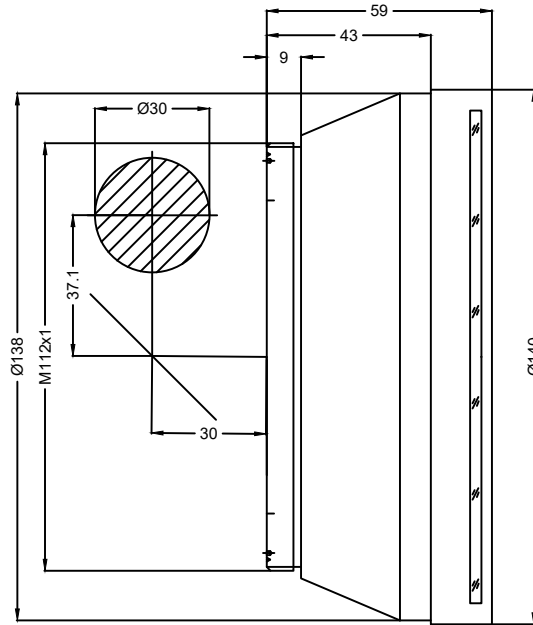
- F-Theta Focusing Lens, 1064 nm
- Nominal focal length 420 mm
- Max. input beam diameter 30 mm
- Maximum working area 280 x 280 mm



Wavelength	1064 nm	Minimum spot size	27.26 μ m
Nominal focal length	420 mm	Mirror distance m1/m2	37.12 / 30 mm
Effective focal length	420.463 mm	Anti-reflective coating	Standard
Flange focal length	549.352 mm	Cooling method	Air
Max. input beam diameter	30 mm	Lens material	Optical glass
Working distance	499.352 mm	Mounting thread	M112x1
Max. scan field	280 x 280 mm	Lens diameter	140 mm

Information is subject to change without notice.
Product photos are non-binding and may show customized features.





F-Theta lens

f-420-30-1064

Dimensions are given in millimeters and are intended as reference values.
Binding information is available on request.

