

F - T H E T A L E N S

f-1450-14-355

en | Data sheet | 1.1

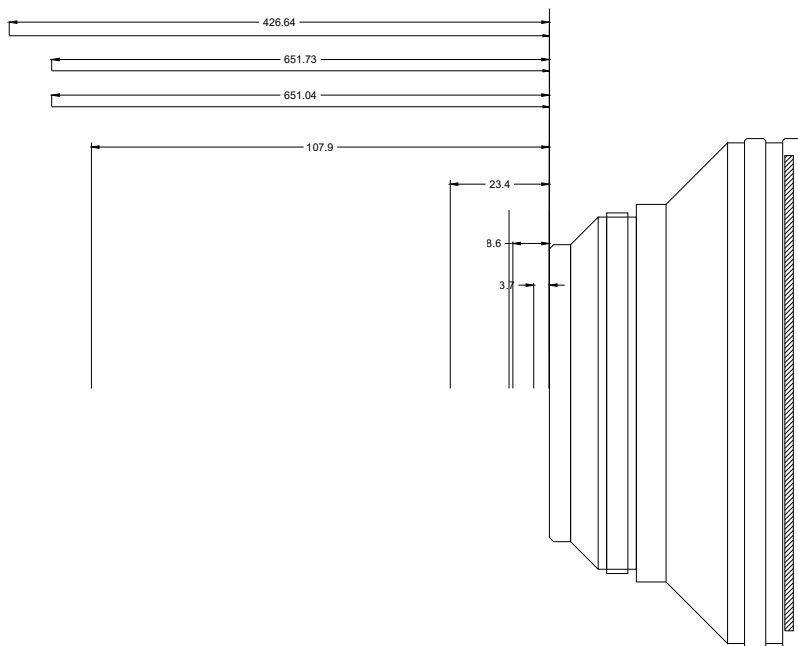
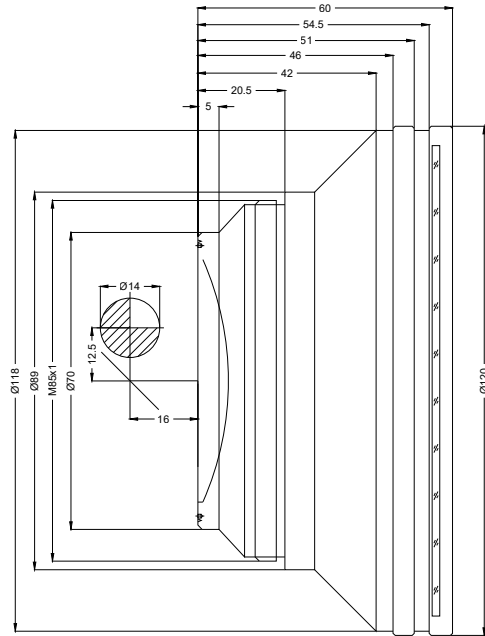
- Fused Silica F-Theta Lens, 355 nm
- Nominal focal length 1450 mm
- Max. input beam diameter 14 mm
- Maximum working area 900 x 900 mm



Wavelength	355 nm	Minimum spot size	67.29 μm
Nominal focal length	1450 mm	Mirror distance m1/m2	12.5 / 16 mm
Effective focal length	1450.100 mm	Anti-reflective coating	Standard
Flange focal length	1539.270 mm	Cooling method	Air
Max. input beam diameter	14 mm	Lens material	Fused silica
Working distance	1499.770 mm	Mounting thread	M85x1
Max. scan field	900 x 900 mm	Lens diameter	120 mm

Information is subject to change without notice.
Product photos are non-binding and may show customized features.





F-Theta lens

f-1450-14-355

Dimensions are given in millimeters and are intended as reference values.
Binding information is available on request.

