

F - T H E T A L E N S

# f-210-10-355

en | Data sheet | 1.1

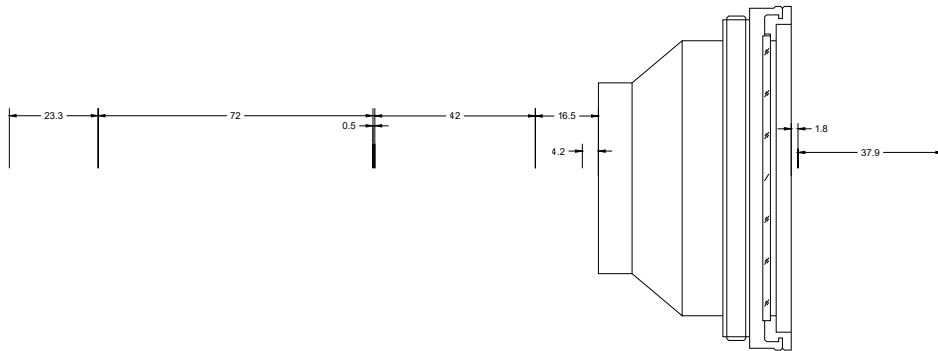
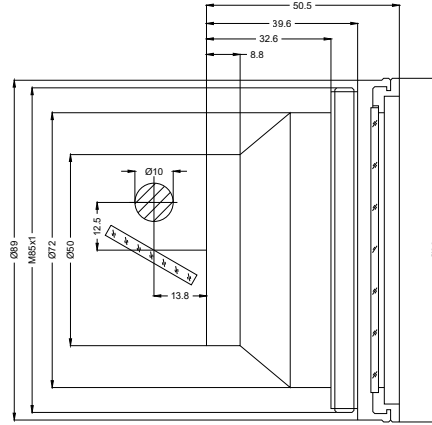
- Fused Silica F-Theta Lens, 355 nm
- Nominal focal length 210 mm
- Max. input beam diameter 10 mm
- Maximum working area 135 x 135 mm



Wavelength	355 nm	Minimum spot size	13.64 μm
Nominal focal length	210 mm	Mirror distance m1/m2	12.5 / 13.75 mm
Effective focal length	210.000 mm	Anti-reflective coating	Standard
Flange focal length	261.450 mm	Cooling method	Air
Max. input beam diameter	10 mm	Lens material	Fused silica
Working distance	250.550 mm	Mounting thread	M85x1
Max. scan field	135 x 135 mm	Lens diameter	90 mm

Information is subject to change without notice.  
Product photos are non-binding and may show customized features.





F-Theta lens

f-210-10-355

Dimensions are given in millimeters and are intended as reference values.  
Binding information is available on request.

