

F - T H E T A L E N S

f-840-10-355

en | Data sheet | 1.0

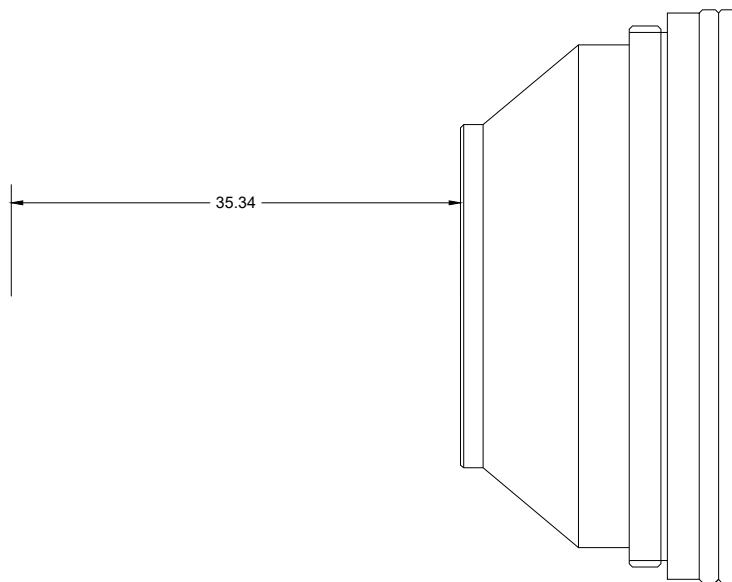
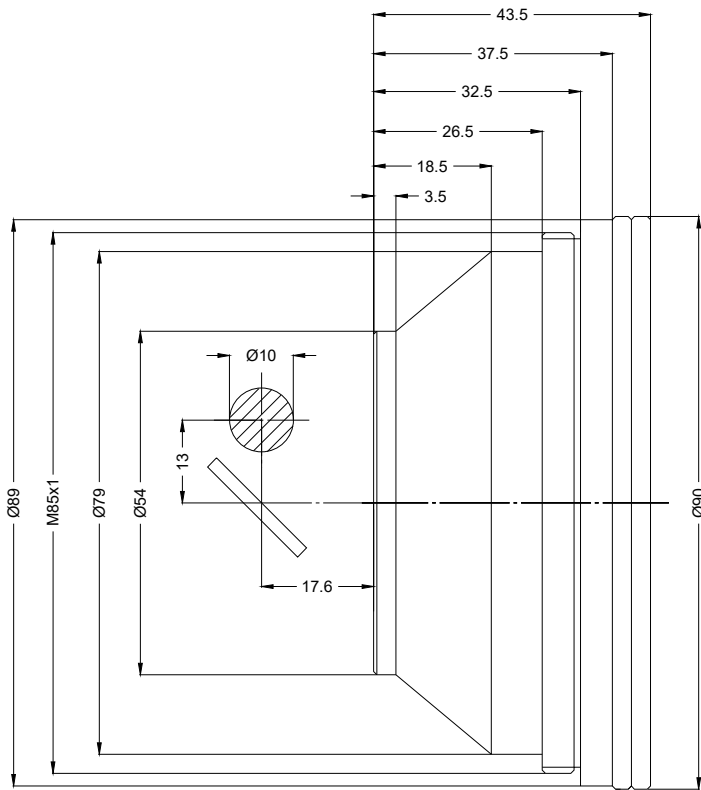
- Fused Silica F-Theta Lens, 355 nm
- Nominal focal length 840 mm
- Max. input beam diameter 10 mm
- Maximum working area 600 x 600 mm



Wavelength	355 nm	Minimum spot size	27.9 μ m
Nominal focal length	840 mm	Mirror distance m1/m2	13 / 17.6 mm
Effective focal length	840.000 mm	Anti-reflective coating	Standard
Flange focal length	959.440 mm	Cooling method	Air
Max. input beam diameter	10 mm	Lens material	Fused silica
Working distance	948.440 mm	Mounting thread	M85x1
Max. scan field	600 x 600 mm	Lens diameter	90 mm

Information is subject to change without notice.
Product photos are non-binding and may show customized features.





F-Theta lens

f-840-10-355

Dimensions are given in millimeters and are intended as reference values.
Binding information is available on request.

