

F - T H E T A L E N S

f-1150-14-510-550

en | Data sheet | 1.1

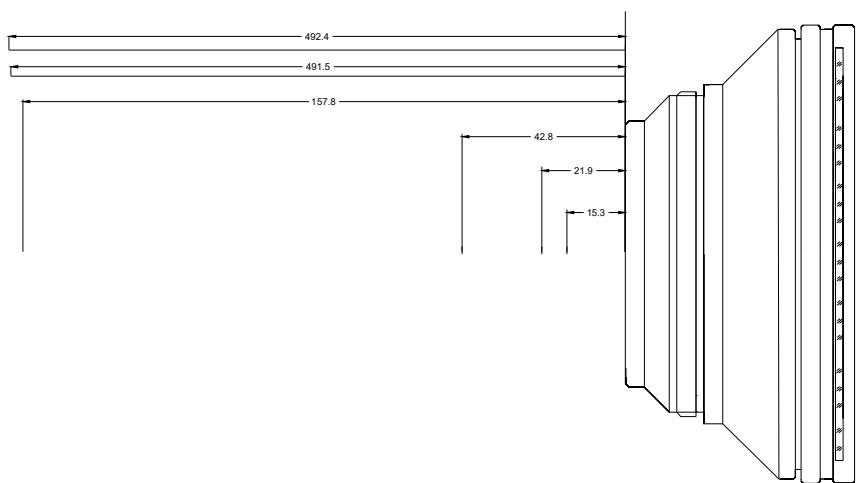
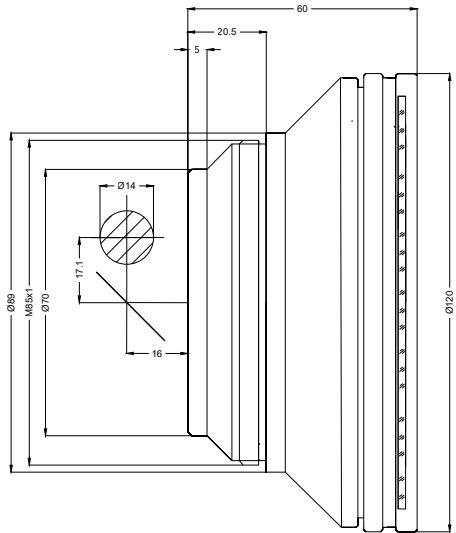
- Fused Silica F-Theta Lens, 510 – 550 nm
- Nominal focal length 1150 mm
- Max. input beam diameter 14 mm
- Maximum working area 800 x 800 mm



Wavelength	510 – 550 nm	Minimum spot size	79.97 µm
Nominal focal length	1150 mm	Mirror distance m1/m2	17 / 16 mm
Effective focal length	1144.730 mm	Anti-reflective coating	Standard
Flange focal length	1289.148 mm	Cooling method	Air
Max. input beam diameter	14 mm	Lens material	Fused silica
Working distance	1249.469 mm	Mounting thread	M85x1
Max. scan field	800 x 800 mm	Lens diameter	120 mm

Information is subject to change without notice.
Product photos are non-binding and may show customized features.





F-Theta lens

f-1150-14-510-550

Dimensions are given in millimeters and are intended as reference values.
Binding information is available on request.

