

F - T H E T A L E N S

# f-254-10-510-550

en | Data sheet | 1.1

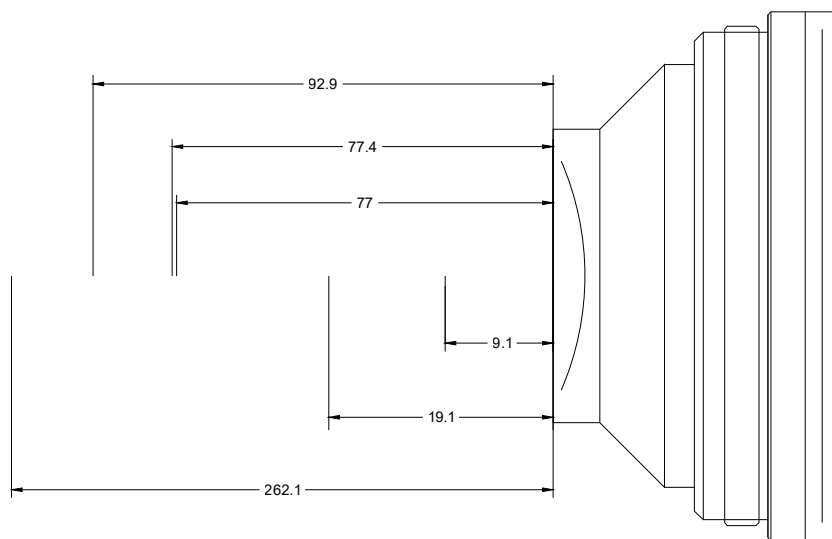
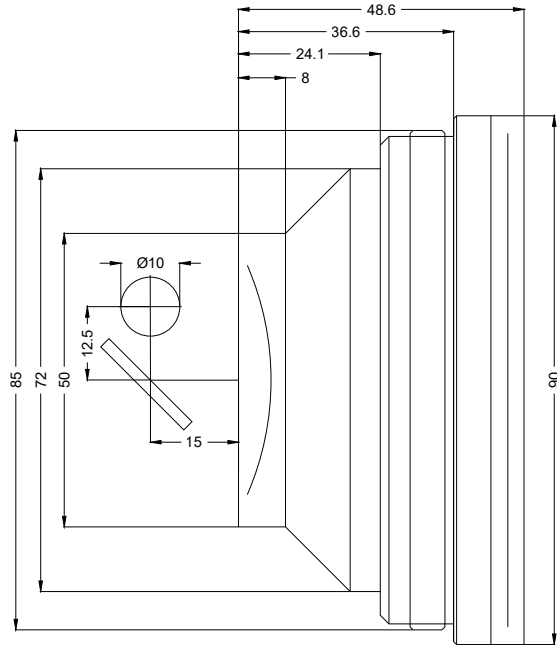
- Fused Silica F-Theta Lens, 510 – 550 nm
- Nominal focal length 254 mm
- Max. input beam diameter 10 mm
- Maximum working area 175 x 175 mm



Wavelength	510 – 550 nm	Minimum spot size	24.73 µm
Nominal focal length	254 mm	Mirror distance m1/m2	12.5 / 15 mm
Effective focal length	254.000 mm	Anti-reflective coating	Standard
Flange focal length	334.617 mm	Cooling method	Air
Max. input beam diameter	10 mm	Lens material	Fused silica
Working distance	312.617 mm	Mounting thread	M85x1
Max. scan field	175 x 175 mm	Lens diameter	90 mm

Information is subject to change without notice.  
Product photos are non-binding and may show customized features.





F-Theta lens

f-254-10-510-550

Dimensions are given in millimeters and are intended as reference values.  
Binding information is available on request.

