

F - T H E T A L E N S

# f-254-14-532

en | Data sheet | 1.1

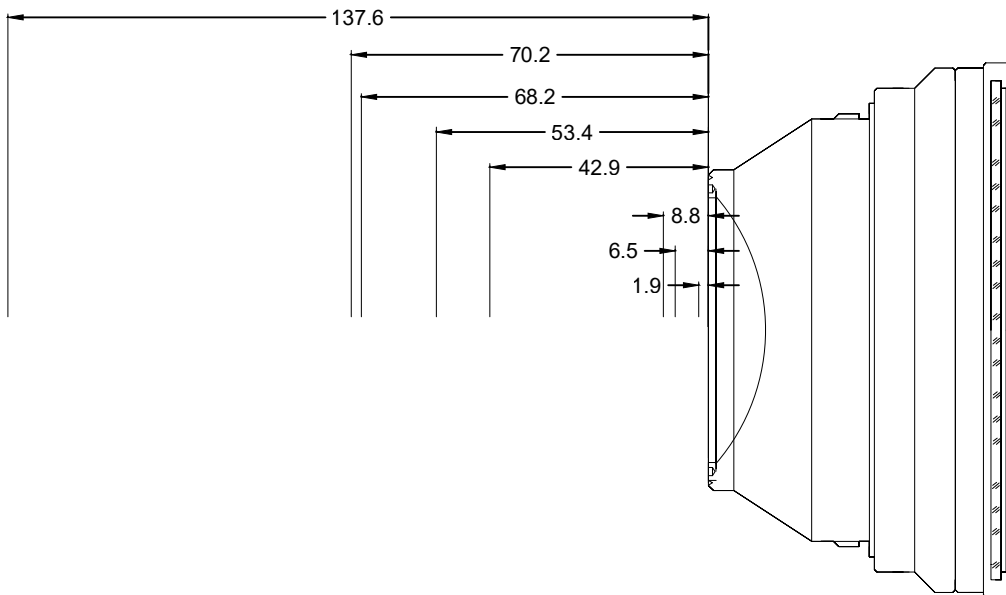
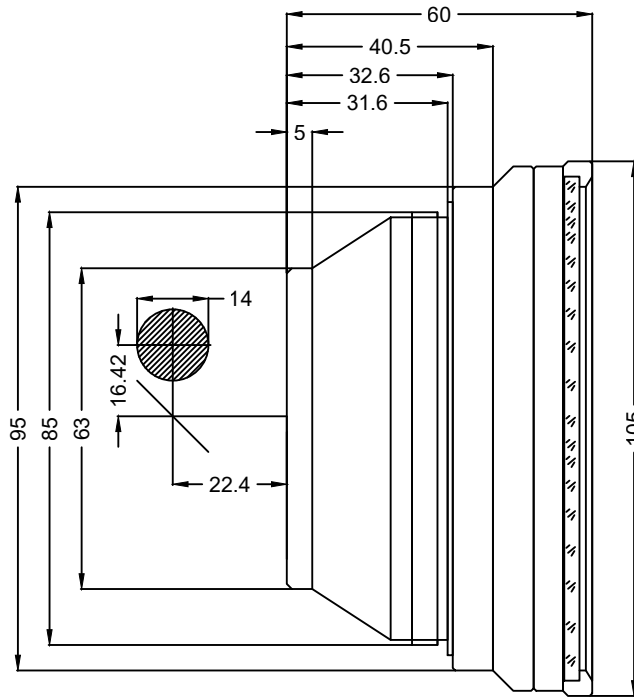
- F-Theta Focusing Lens, 532 nm
- Nominal focal length 254 mm
- Max. input beam diameter 14 mm
- Maximum working area 165 x 165 mm



Wavelength	532 nm	Minimum spot size	17.7 μm
Nominal focal length	254 mm	Mirror distance m1/m2	16.42 / 22.4 mm
Effective focal length	254.000 mm	Anti-reflective coating	Standard
Flange focal length	289.910 mm	Cooling method	Air
Max. input beam diameter	14 mm	Lens material	Optical glass
Working distance	261.510 mm	Mounting thread	M85x1
Max. scan field	165 x 165 mm	Lens diameter	105 mm

Information is subject to change without notice.  
Product photos are non-binding and may show customized features.





F-Theta lens

f-254-14-532

Dimensions are given in millimeters and are intended as reference values.  
Binding information is available on request.

