

F - T H E T A L E N S

f-650-20-532

en | Data sheet | 1.1

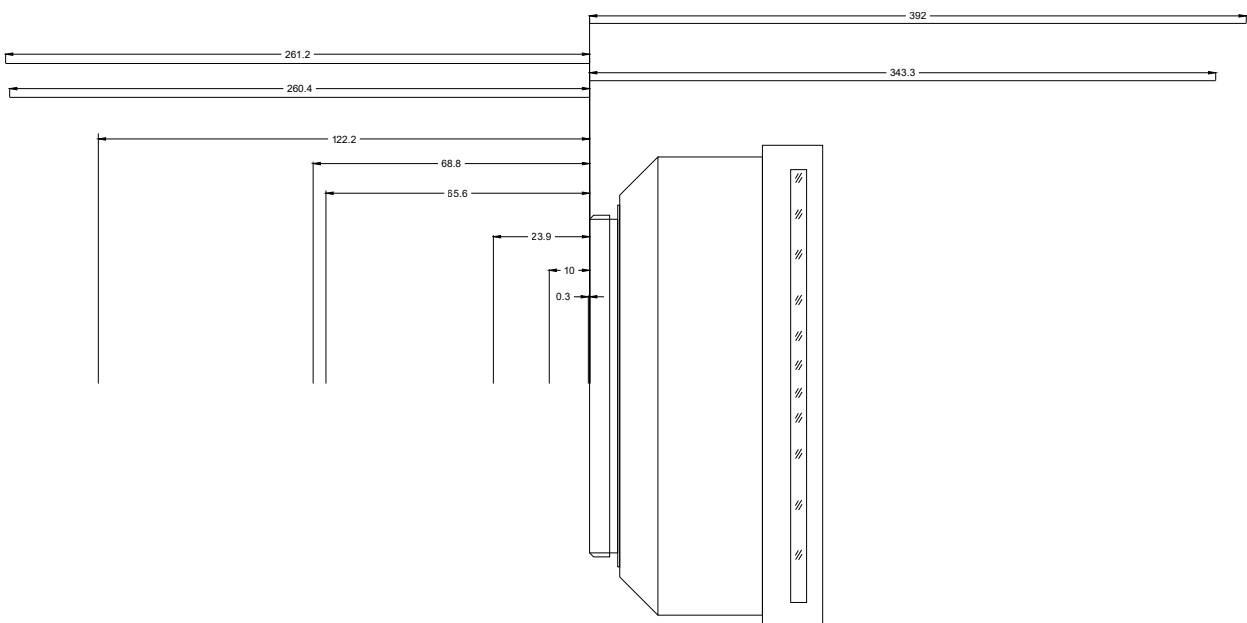
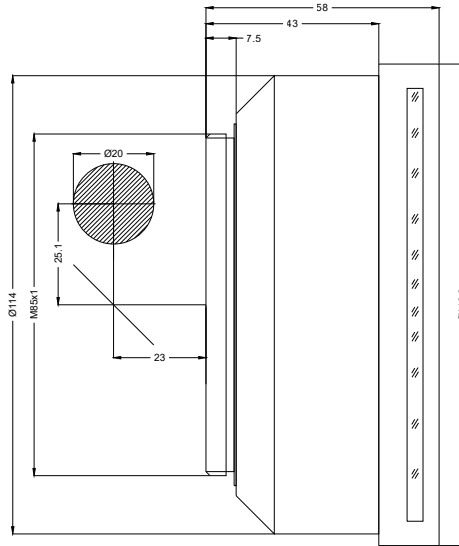
- F-Theta Focusing Lens, 532 nm
- Nominal focal length 650 mm
- Max. input beam diameter 20 mm
- Maximum working area 480 x 480 mm



| | | | |
|--------------------------|--------------|-------------------------|--------------------------------|
| Wavelength | 532 nm | Minimum spot size | 31.64 μm |
| Nominal focal length | 650 mm | Mirror distance m1/m2 | 25.12 / 20 – 30 mm |
| Effective focal length | 649.998 mm | Anti-reflective coating | Standard |
| Flange focal length | 760.322 mm | Cooling method | Air |
| Max. input beam diameter | 20 mm | Lens material | Optical glass and fused silica |
| Working distance | 709.322 mm | Mounting thread | M85x1 |
| Max. scan field | 480 x 480 mm | Lens diameter | 120 mm |

Information is subject to change without notice. Product photos are non-binding and may show customized features.





F-Theta lens

f-650-20-532

Dimensions are given in millimeters and are intended as reference values.
Binding information is available on request.

