

F - T H E T A L E N S

f-170-10-915-980

en | Data sheet | 1.1

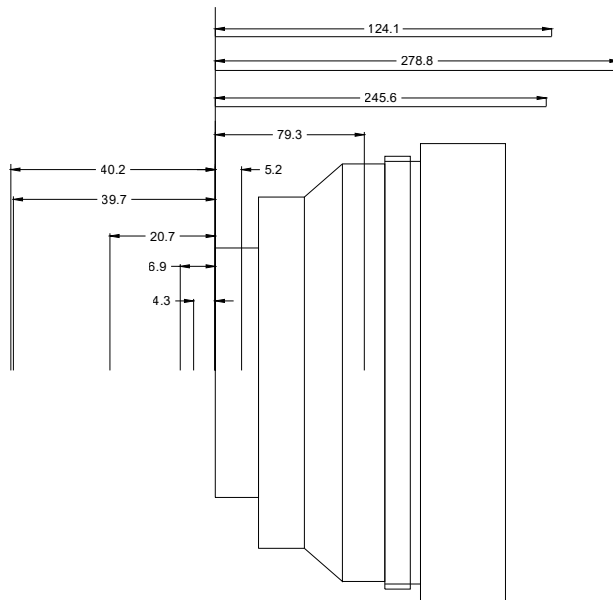
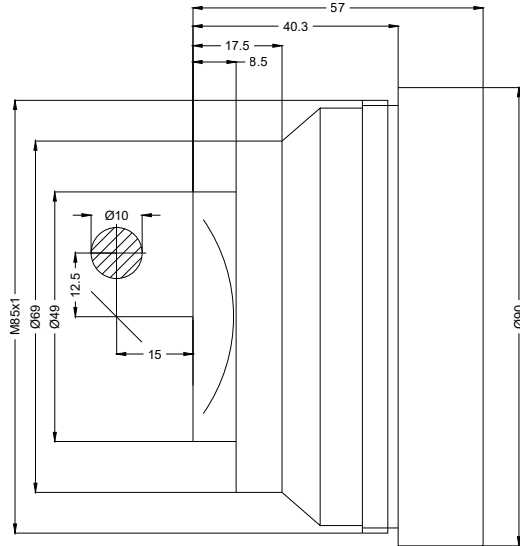
- Fused Silica F-Theta Lens, 915 – 980 nm
- Nominal focal length 170 mm
- Max. input beam diameter 10 mm
- Maximum working area 117 x 117 mm



Wavelength	915 – 980 nm	Minimum spot size	30.49 µm
Nominal focal length	170 mm	Mirror distance m1/m2	12.5 / 15 mm
Effective focal length	170.000 mm	Anti-reflective coating	Standard
Flange focal length	215.204 mm	Cooling method	Air
Max. input beam diameter	10 mm	Lens material	Fused silica
Working distance	198.514 mm	Mounting thread	M85x1
Max. scan field	117.5 x 117.5 mm	Lens diameter	90 mm

Information is subject to change without notice.
Product photos are non-binding and may show customized features.





F-Theta lens

f-170-10-915-980

Dimensions are given in millimeters and are intended as reference values.
Binding information is available on request.

