

F - T H E T A L E N S

f-100G-10-9.3

en | Data sheet | 1.1

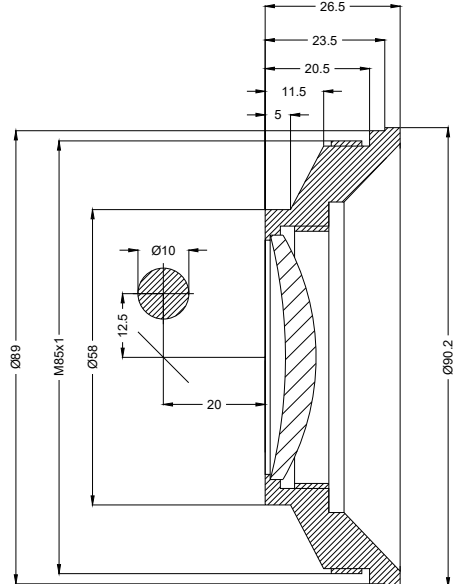
- F-Theta Lens 9300 nm, ZnSe
- Nominal focal length 100 mm
- Max. input beam diameter 10 mm
- Maximum working area 70 x 70 mm



Wavelength	9300 nm	Minimum spot size	170.19 μ m
Nominal focal length	100 mm	Mirror distance m1/m2	12.5 / 20 mm
Effective focal length	99.900 mm	Anti-reflective coating	Standard
Flange focal length	90.437 mm	Cooling method	Air
Max. input beam diameter	10 mm	Lens material	ZnSe
Working distance	84.937 mm	Mounting thread	M85x1
Max. scan field	70 x 70 mm	Lens diameter	90 mm

Information is subject to change without notice.
Product photos are non-binding and may show customized features.





F-Theta lens

f-100G-10-9.3

Dimensions are given in millimeters and are intended as reference values.
Binding information is available on request.

