

F - T H E T A L E N S

f-150-12-9.3

en | Data sheet | 1.1

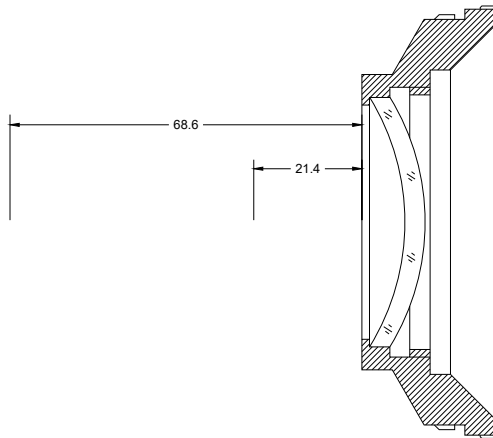
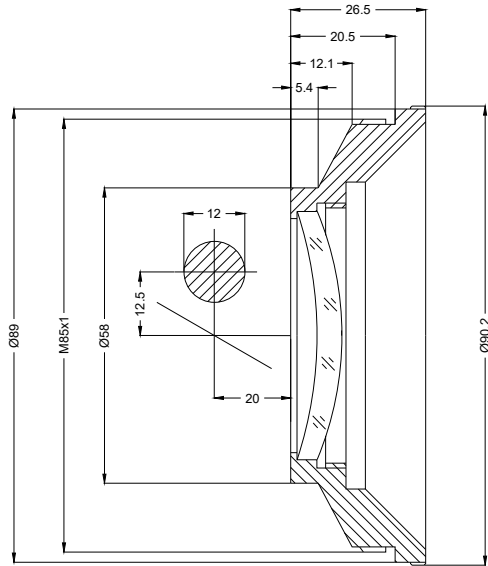
- F-Theta Lens 9300 nm, ZnSe
- Nominal focal length 150 mm
- Max. input beam diameter 12 mm
- Maximum working area 110 x 110 mm



Wavelength	9300 nm	Minimum spot size	212 µm
Nominal focal length	150 mm	Mirror distance m1/m2	12.5 / 20 mm
Effective focal length	150.000 mm	Anti-reflective coating	Standard
Flange focal length	136.639 mm	Cooling method	Air
Max. input beam diameter	12 mm	Lens material	ZnSe
Working distance	130.639 mm	Mounting thread	M85x1
Max. scan field	110 x 110 mm	Lens diameter	90 mm

Information is subject to change without notice.
Product photos are non-binding and may show customized features.





F-Theta lens

f-150-12-9.3

Dimensions are given in millimeters and are intended as reference values.
Binding information is available on request.

