

F - T H E T A L E N S

f-430-15-9.3

en | Data sheet | 1.1

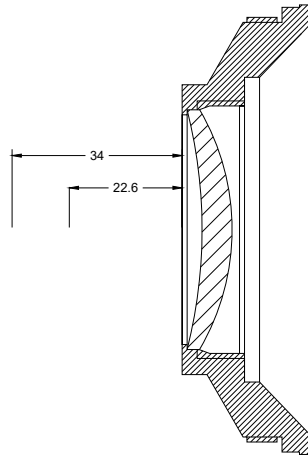
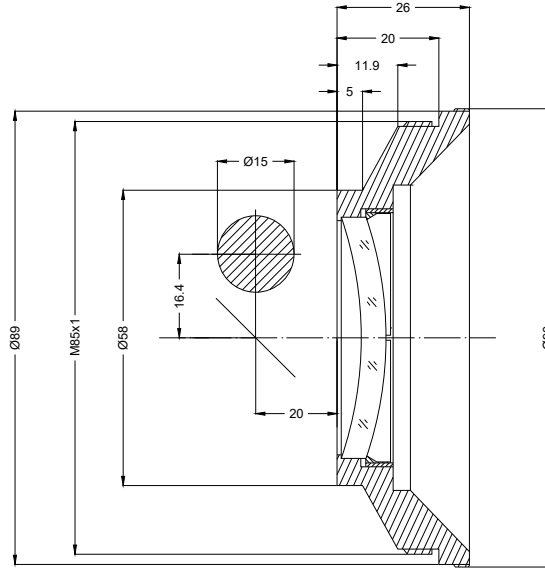
- F-Theta Lens 9300 nm, ZnSe
- Nominal focal length 430 mm
- Max. input beam diameter 15 mm
- Maximum working area 300 x 300 mm



Wavelength	9300 nm	Minimum spot size	487.88 µm
Nominal focal length	430 mm	Mirror distance m1/m2	16.42 / 20 mm
Effective focal length	430.000 mm	Anti-reflective coating	Standard
Flange focal length	423.529 mm	Cooling method	Air
Max. input beam diameter	15 mm	Lens material	ZnSe
Working distance	417.529 mm	Mounting thread	M85x1
Max. scan field	300 x 300 mm	Lens diameter	90 mm

Information is subject to change without notice.
Product photos are non-binding and may show customized features.





F-Theta lens

f-430-15-9.3

Dimensions are given in millimeters and are intended as reference values.
Binding information is available on request.

