

F - T H E T A L E N S

f-480-20-9.3

en | Data sheet | 1.1

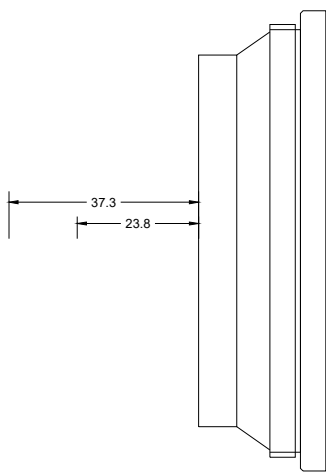
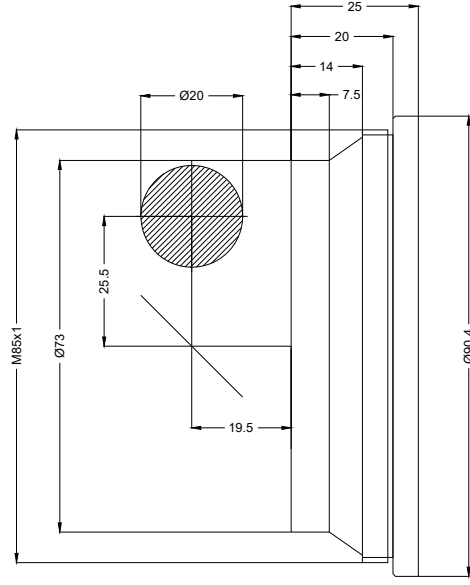
- F-Theta Lens 9300 nm, ZnSe
- Nominal focal length 480 mm
- Max. input beam diameter 20 mm
- Maximum working area 350 x 350 mm



Wavelength	9300 nm	Minimum spot size	408.46 µm
Nominal focal length	480 mm	Mirror distance m1/m2	25.5 / 19.53 mm
Effective focal length	481.352 mm	Anti-reflective coating	Standard
Flange focal length	469.712 mm	Cooling method	Air
Max. input beam diameter	20 mm	Lens material	ZnSe
Working distance	464.712 mm	Mounting thread	M85x1
Max. scan field	350 x 350 mm	Lens diameter	90 mm

Information is subject to change without notice.
Product photos are non-binding and may show customized features.





F-Theta lens

f-480-20-9.3

Dimensions are given in millimeters and are intended as reference values.
Binding information is available on request.

