

F - T H E T A L E N S

f-163-20-980

en | Data sheet | 1.1.1

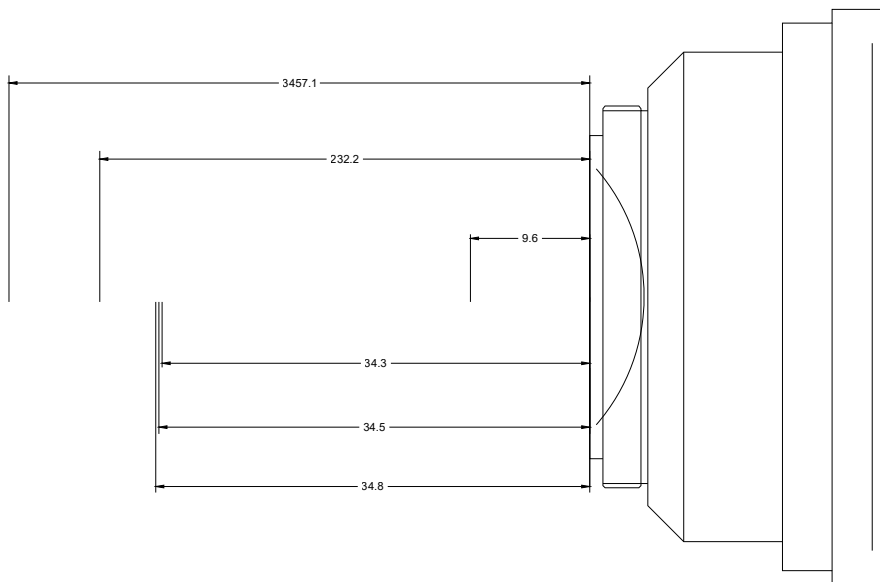
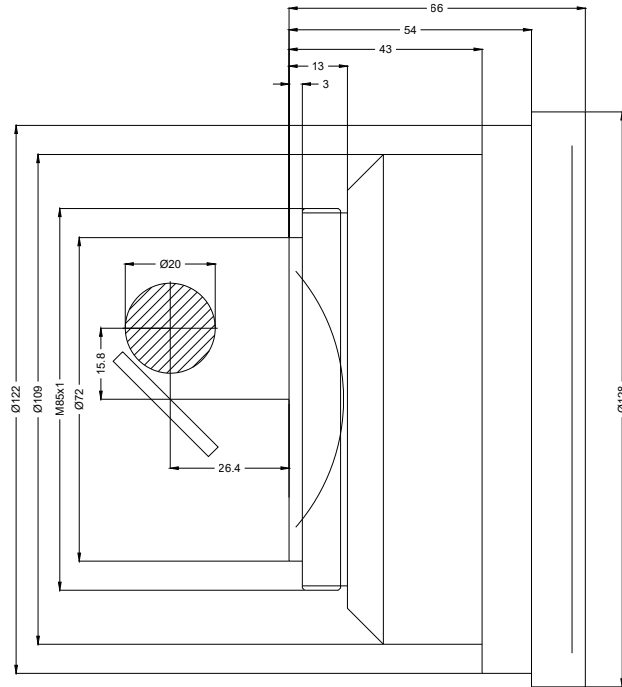
- F-Theta Focusing Lens, 980 nm
- Nominal focal length 163 mm
- Max. input beam diameter 20 mm
- Maximum working area 110 x 110 mm
- Very fine focus, high precision



Wavelength	980 nm
Nominal focal length	163 mm
Effective focal length	163.000 mm
Flange focal length	245.431 mm
Max. input beam diameter	20 mm
Working distance	192.431 mm
Max. scan field	100 x 100 mm

Minimum spot size	14.9 μm
Mirror distance m1/m2	26.4 / 15.8 mm
Anti-reflective coating	Standard
Cooling method	Air
Lens material	Optical glass
Mounting thread	M85x1
Lens diameter	128 mm





F-Theta lens

f-163-20-980

Dimensions are given in millimeters and are intended as reference values.
Binding information is available on request.

