

F - T H E T A L E N S

f-254-14-980

en | Data sheet | 1.1

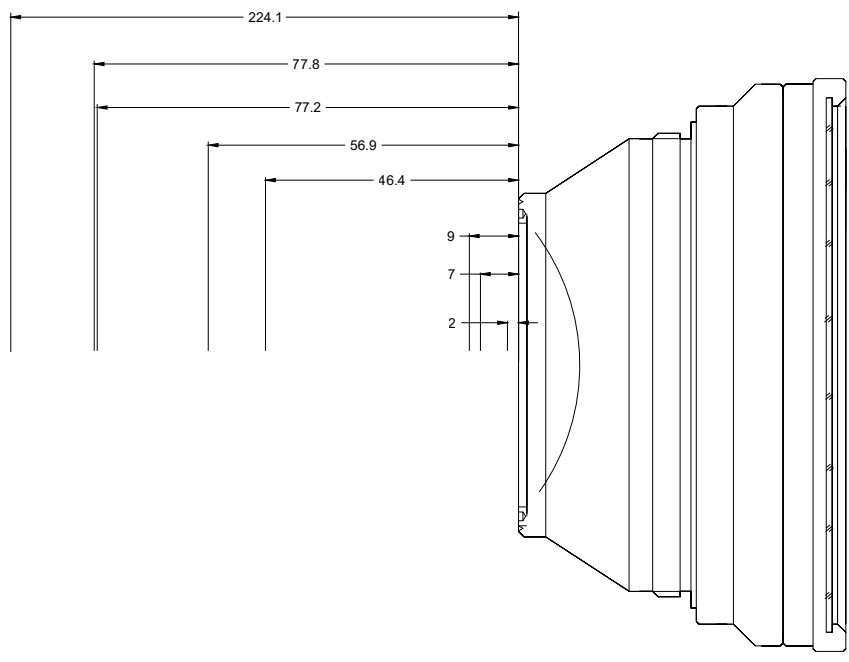
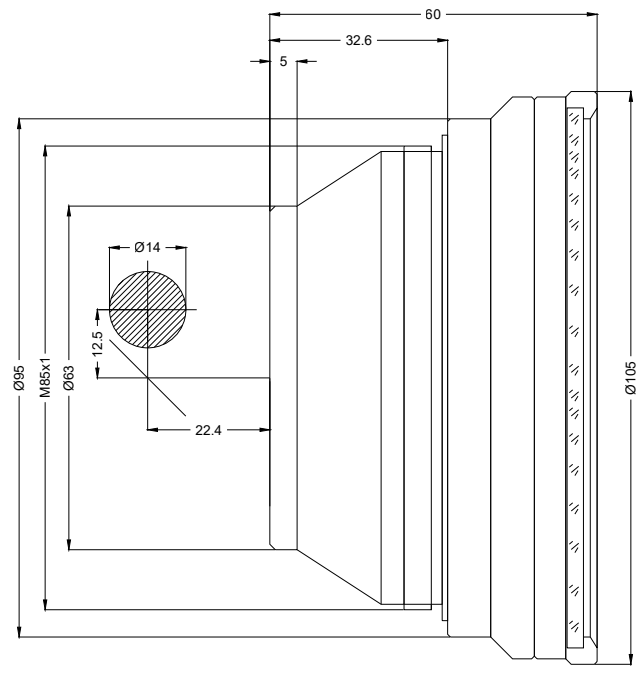
- F-Theta Focusing Lens, 980 nm
- Nominal focal length 254 mm
- Max. input beam diameter 14 mm
- Maximum working area 175 x 175 mm



Wavelength	980 nm	Minimum spot size	32.5 µm
Nominal focal length	254 mm	Mirror distance m1/m2	12.5 / 22.4 mm
Effective focal length	254.579 mm	Anti-reflective coating	Standard
Flange focal length	307.010 mm	Cooling method	Air
Max. input beam diameter	14 mm	Lens material	Optical glass
Working distance	278.610 mm	Mounting thread	M85x1
Max. scan field	175 x 175 mm	Lens diameter	105 mm

Information is subject to change without notice.
Product photos are non-binding and may show customized features.





F-Theta lens

f-254-14-980

Dimensions are given in millimeters and are intended as reference values.
Binding information is available on request.

